

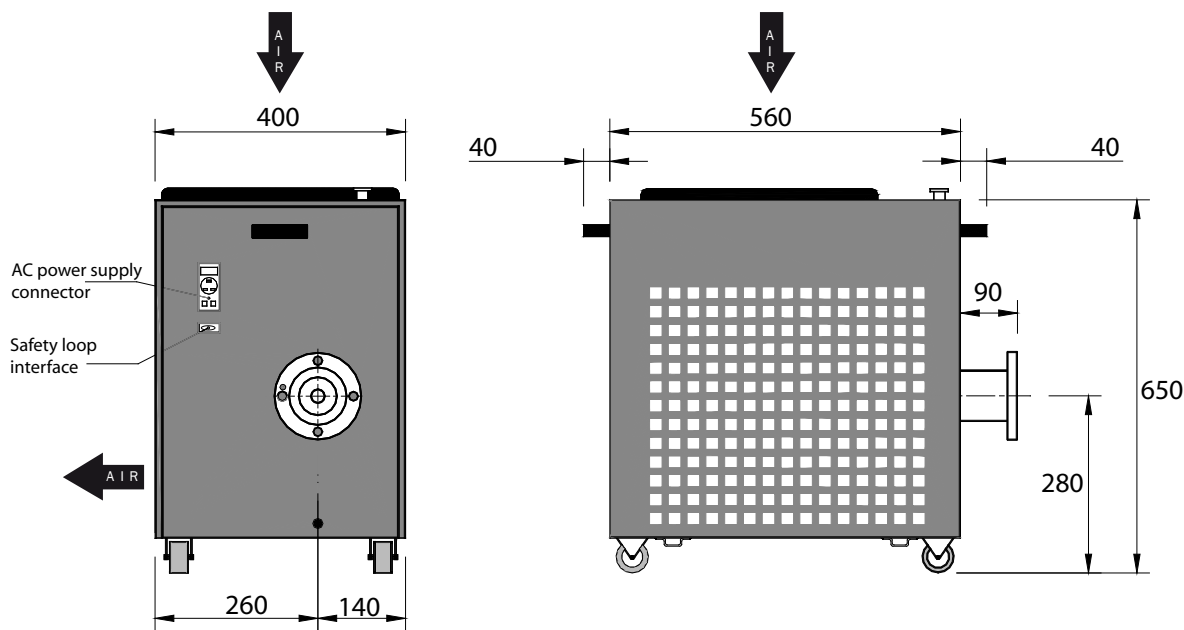
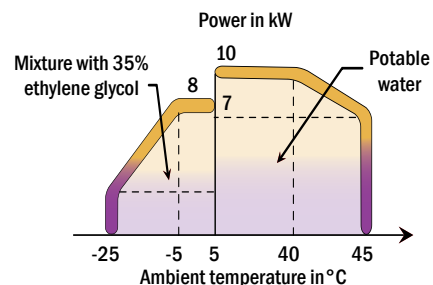
10 kW Water cooled Load



Standards
NF C 96-315
MIL-DTL-39030



Impedance	50 Ω ± 5%
Frequency	DC - 1 GHz
Max VSWR	≤ 1.10 at 860 MHz
Average power @ 40°C	10 kW (Potable water) 8 kW (Mixture with 35% ethylene glycol)
Cooling	Water + forced air
Potable water	7 < pH < 8.2, mineral salts concentration < 75 ppm
Weight	50 kg
Power supply	650 VA (1 fans + 1 pump) - C14 IEC Fuses Inlet
Safety loop	Flowswitch + Thermoswitch serial wired - 5/5.08 Feed Through header - 2 wires AWG 24-12



Dimensions in mm

P/N	Connector	AC power supply
17-0615	EIA 3.1/8"	220 V - 50 Hz

Option	NU	VSWR ≤ 1.06 from 470 to 860 MHz for digital applications
	V	Fans on/off depending on RF power applied



Instruction manual and wiring diagram available on request

