

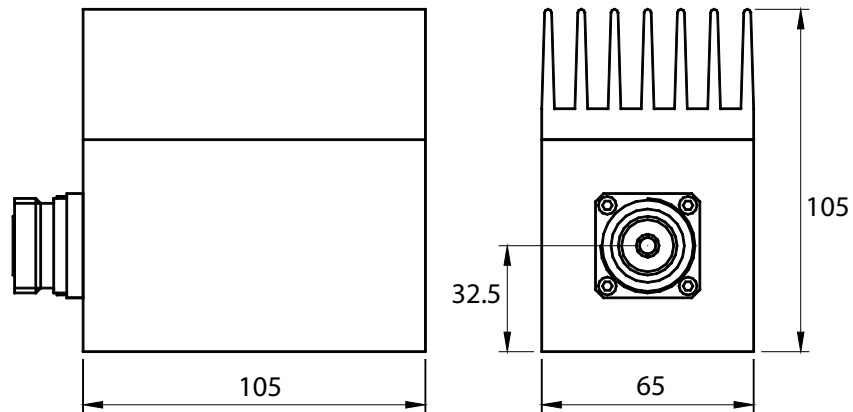
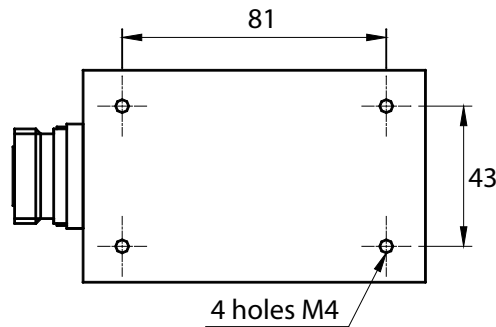
50 W Low PIM Coaxial Loads



Standards
NF C 96-315
MIL-DTL-39030



Impedance	50 Ω
Frequency	698 - 2700 MHz
Max VSWR	≤ 1.20
PIM	< -165 dBc for 2 carriers at +43 dBm
Temperature range	-35 to +70 °C
Average power	50 W
Outdoor protection	IP 66
Weight	1.5 kg



Dimensions in mm

P/N	Connector
17-0633	N m
17-0636	N f
17-0770	7-16 f
17-0771	7-16 m