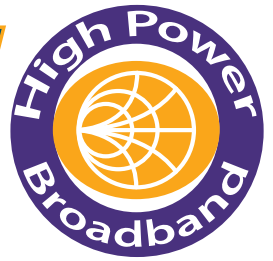
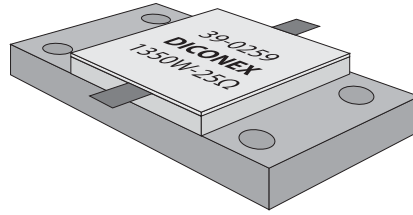


1350 W BeO Stripline Resistors

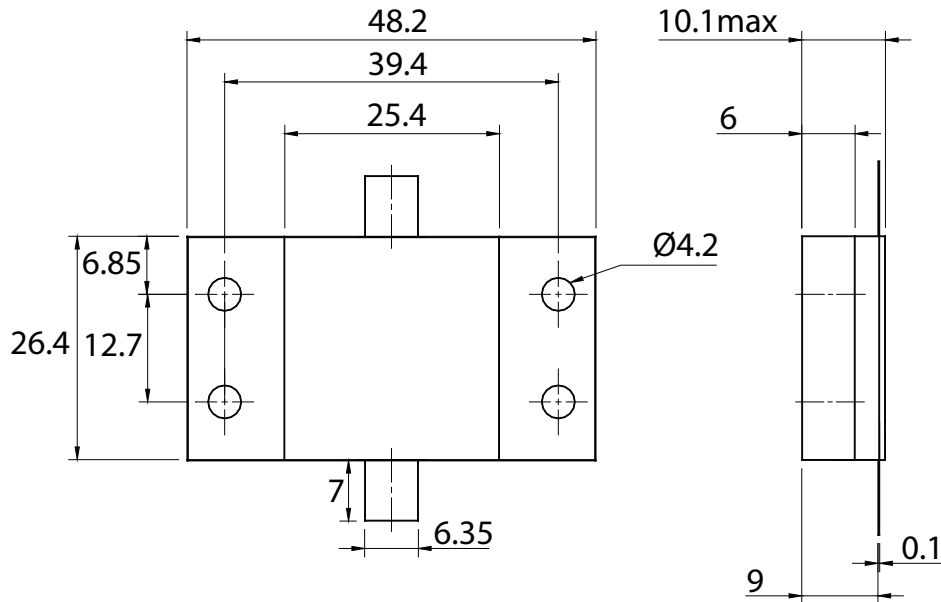
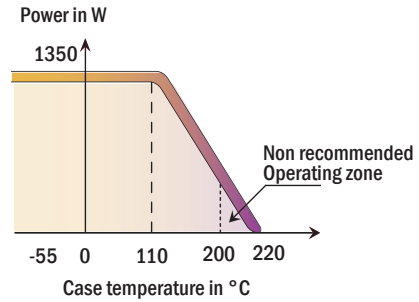
NEW



Standards
NFC 96-315
MIL-DTL-39030



| | |
|-------------------------|--------------------------------|
| Substrate | BeO |
| Resistive film | Thick film |
| Tab/Plating | CuBe/Ag |
| Mounting flange/Plating | Cu/Ni |
| Cover substrate | Al ₂ O ₃ |



Dimensions in mm

| mm | inch |
|------|-------|
| 0.1 | 0.004 |
| 4.2 | 0.165 |
| 6 | 0.236 |
| 6.35 | 0.250 |
| 6.85 | 0.270 |
| 7 | 0.276 |
| 9 | 0.354 |
| 10.1 | 0.397 |
| 12.7 | 0.500 |
| 25.4 | 1.000 |
| 26.4 | 1.040 |
| 39.4 | 1.551 |
| 48.2 | 1.898 |

| P/N | Power (W) | Resistance* (Ω ± 5%) | Capacitance** C ₀ (pF) |
|---------|-----------|----------------------|-----------------------------------|
| 39-0259 | 1350 | 25 | 11 |
| 39-0260 | 1350 | 50 | 11 |
| 39-0261 | 1350 | 100 | 11 |
| 39-0262 | 1350 | 200 | 11 |

* Others values on request

** C₀ is the value of capacitance measured in DC.

C_{HF} is the RF equivalent capacitance measured with NWA with one port grounded C_{HF} = 1/3 C₀