

5 kW Low Energy Oil Cooled Load

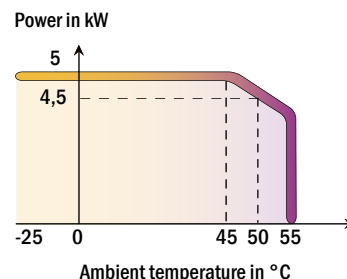
NEW



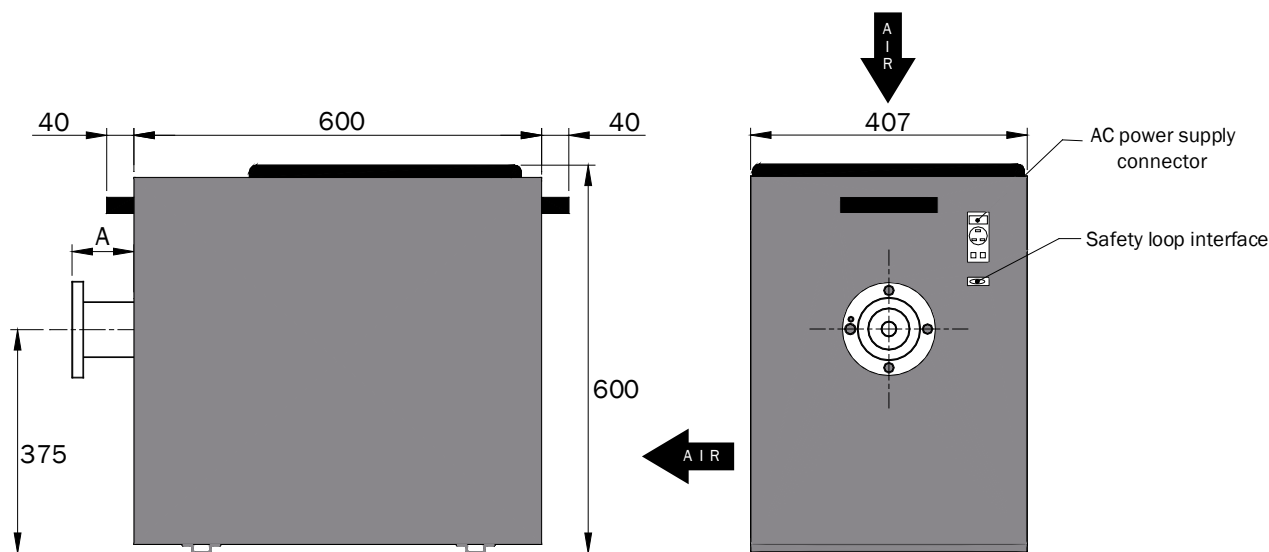
Standards
NF C 96-315
MIL-DTL-39030



Impedance	50 Ω ± 5%
Frequency	DC - 1 GHz (on request DC - 2.5 GHz)
Max VSWR	≤ 1.10 at 1 GHz
Temperature range	-25 to +55°C
Average power @ 45° C	5 kW
Cooling	Oil + forced air depending on RF power applied
Safety loop	Thermal + oil circulation
Main power safety	Lated fuses : Fan 2 A, Pump 0.8 A
Weight	47 kg



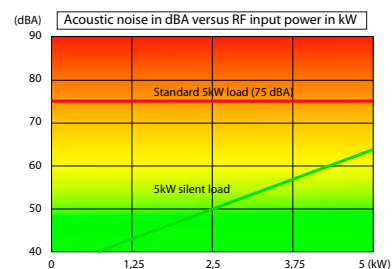
AC Power consumption: <10W when no RF power applied
from 10W to 350W max depending on RF power applied



Dimensions in mm

P/N	Connector	AC power supply	A
17-0774	EIA 1.5/8"	220 V - 50/60 Hz	70
17-0775	EIA 3.1/8"	220 V - 50/60 Hz	90

Option	FM40	VSWR ≤ 1.02 from 87 to 108 MHz for FM applications
	BIII	VSWR ≤ 1.05 from 170 to 230 MHz for BIII applications
	NU	VSWR ≤ 1.05 from 470 to 860 MHz for DVB applications
	R	Swivel castors



Instruction manual and wiring diagram available on request

