

10 kW Low Energy Oil Cooled Load

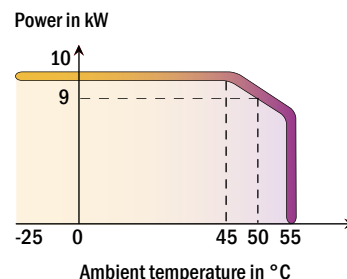
NEW



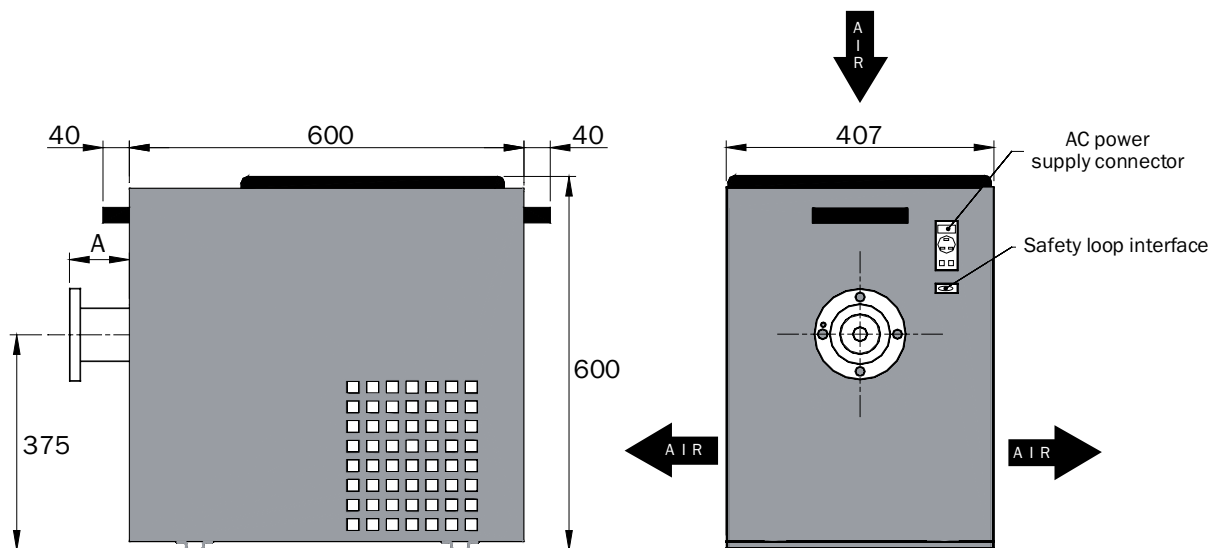
Standards
NF C 96-315
MIL-DTL-39030



| | |
|-----------------------|--|
| Impedance | 50 Ω ± 5% |
| Frequency | DC - 1 GHz (on request DC - 2.5 GHz) |
| Max VSWR | ≤ 1.10 at 1 GHz |
| Temperature range | -25 to +55 °C |
| Average power @ 45° C | 10 kW |
| Cooling | Oil + forced air depending on RF power applied |
| Safety loop | Thermal + oil circulation |
| Main power safety | Lated fuses : Fan 2 A, Pump 0.8 A |
| Weight | 47 kg |



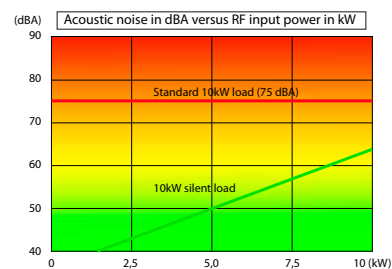
AC Power consumption: <10W when no RF power applied
from 10W to 350W max depending on RF power applied



Dimensions in mm

| P/N | Connector | AC power supply | A |
|---------|------------|------------------|----|
| 17-0776 | EIA 1.5/8" | 220 V - 50/60 Hz | 70 |
| 17-0777 | EIA 3.1/8" | 220 V - 50/60 Hz | 90 |

| Option | FM40 | VSWR ≤ 1.02 from 87 to 108 MHz for FM applications |
|--------|------|---|
| | BIll | VSWR ≤ 1.05 from 170 to 230 MHz for BIll applications |
| | NU | VSWR ≤ 1.05 from 470 to 860 MHz for DVB applications |
| | R | Swivel castors |



Instruction manual and wiring diagram available on request

