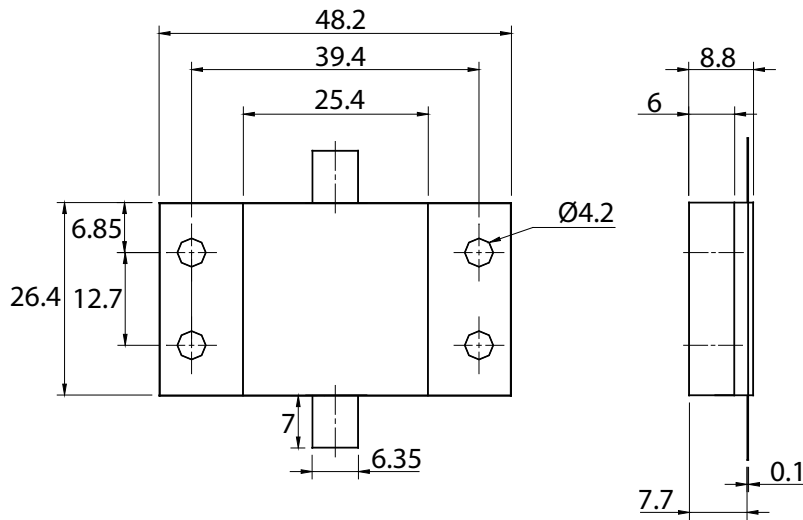
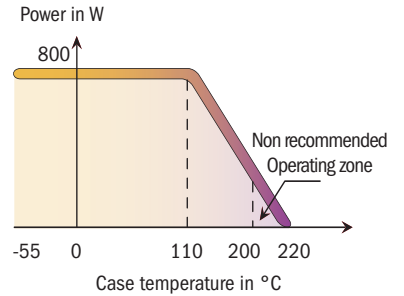




Standards  
NF C 96-315  
MIL-DTL-39030



Substrate	BeO
Resistive film	Thick film
Tab/Plating	CuBe/Ag
Mounting flange/Plating	Cu/Ni
Cover substrate	Al <sub>2</sub> O <sub>3</sub>



Dimensions in mm

P/N	Frequency (GHz)	Power (W)	Resistance* (Ω ± 5%)	Capacitance** C <sub>0</sub> (pF)
39-0090	0.25	800	12.5	14
39-0089	0.25	800	25	14
39-0061	0.25	800	50	14
39-0062	0.25	800	100	14

mm	inch
0.1	0.004
4.2	0.165
6.2	0.244
6.35	0.250
6.85	0.270
7.7	0.303
8.8	0.346
9	0.354
12.7	0.500
25.4	1.000
26.4	1.040
39.4	1.551
48.2	1.898

\* Others values on request

\*\* C<sub>0</sub> is the value of capacitance measured in DC.

C<sub>HF</sub> is the RF equivalent capacitance measured with NWA with one port grounded C<sub>HF</sub> = 1/3 C<sub>0</sub>