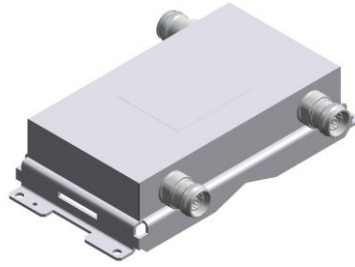


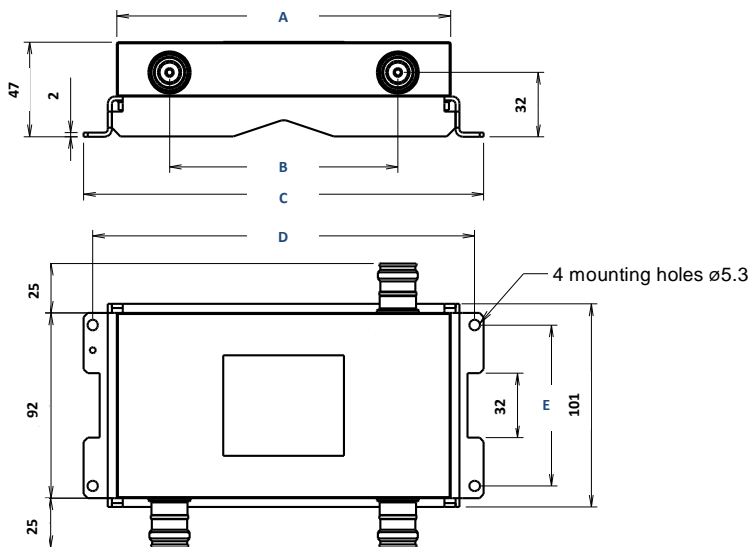
Directional Coupler

698 – 2700MHz

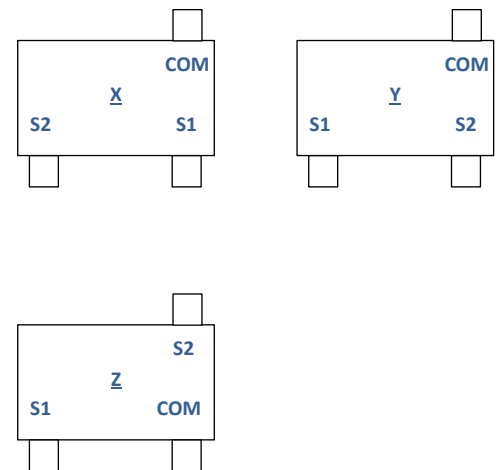


| | |
|---|---|
| Impedance | : 50Ω |
| Intermodulation IM3 (2 x 20 W carriers) | : ≤ -153dBc |
| Isolation | : > 19dB (3dB Coupler) – >20dB (other Couplers) |
| Return Loss | : > 18dB (3dB Coupler) – >20dB (other Couplers) |
| Power Rating | |
| - If used as a combiner (2 → 1) | : 40W |
| - If used as a divider (1 → 2) | : 80W |
| Temperature Range | : -30°C – +70°C |
| Weight | : 1,5 kg |
| Tightness index | : IP 67 |

Dimensions



Input & Output block diagram



| Coupling Attenuation | Part Number | | Dimensions (mm) | | | | | Input & Output block diagram |
|----------------------|-------------|------------|-----------------|-------|-----|-----|----|------------------------------|
| | 4.3-10f | 7-16f | A | B | C | D | E | |
| 3dB | 02 300 211 | 02 300 201 | 166 | 113.6 | 199 | 190 | 80 | X |
| 4.7dB | 02 300 212 | 02 300 202 | 152 | 100 | 185 | 176 | 60 | Y |
| 7dB | 02 300 213 | 02 300 203 | 152 | 100 | 185 | 176 | 60 | Z |
| 10dB | 02 300 214 | 02 300 204 | 152 | 100 | 185 | 176 | 60 | Z |
| 20dB | 02 300 216 | 02 300 206 | 152 | 100 | 185 | 176 | 60 | Z |