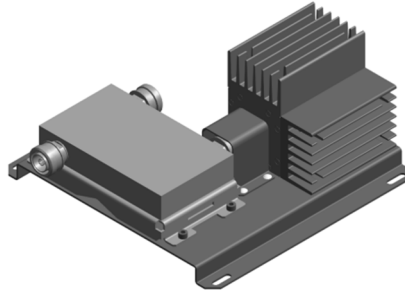


Low PIM Attenuators
3, 7, 10, 20dB



DSP-1228P
03-16-A

Mechanical characteristics:

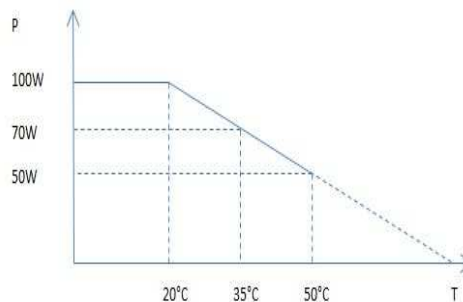
Connector body material and finish	: Nickel Plated Brass
"IN" and "OUT" Connectors (coupling)	: 7/16 female, in compliance with 61169-4 IEC standard
Locking system clamping	: Executed with torque = 25 N.m
Weight (7-10-20dB)	:4.3kg
Weight (3dB)	:4.0kg
Tightness index	:IP66

Electrical characteristics:

Low PIM Attenuator 7/16 f – 7/16 f – 698-960 & 1710-2700MHz		09 050 010 A	09 050 009 A	09 050 008 A	09 050 007 A
	Part Number				
Operating frequency bands	(MHz)	698-960 & 1710-2700			
Attenuation	(dB)	3	7	10	20
Attenuation variation	(dB)	±0.8	±0.8	±1	±1.5
Insertion Loss	(dB)	≤0.3	≤0.3	≤0.3	≤0.3
Input VSWR		≤1.4	≤1.3	≤1.3	≤1.4
Impedance	(ohm)	50			
Input power (average) at 20°C (*)	(W)	100			
Operating temperature range	(°C)	-30 to +70			
Intermodulation IM3 (2 x 43 dBm carrier)	(dBc)	≤-153			

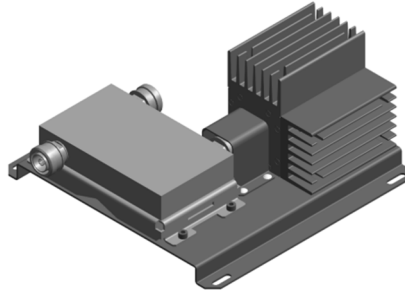
(*) These Attenuators are not reversible: IN → 7/16 f. OUT → 7/16 f.

Power derating

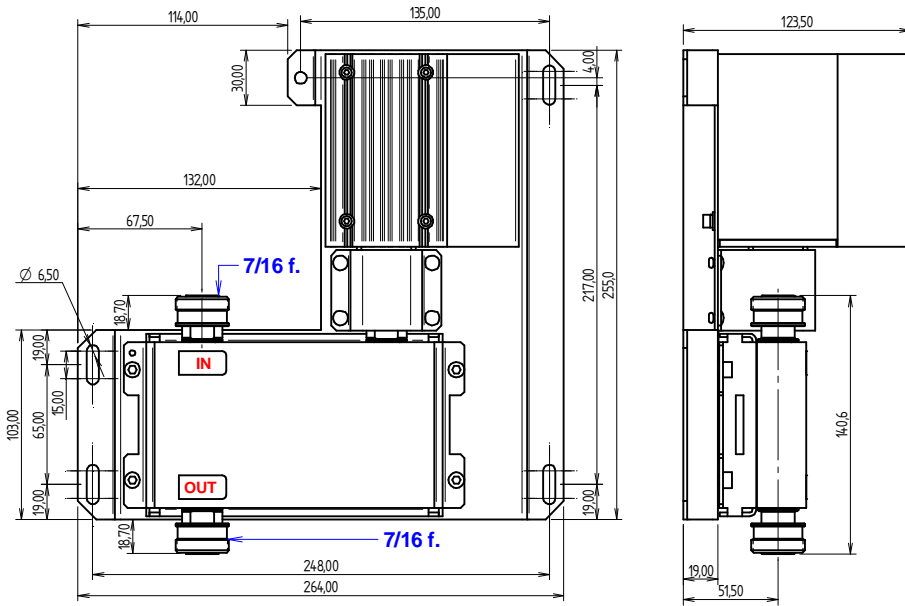


Low PIM Attenuators
3, 7, 10, 20dB

DSP-1228P
03-16-A



Dimensions (mm) : 09 050 007 A / 09 050 008 A / 09 050 009 A



Dimensions (mm) : 09 050 010 A

