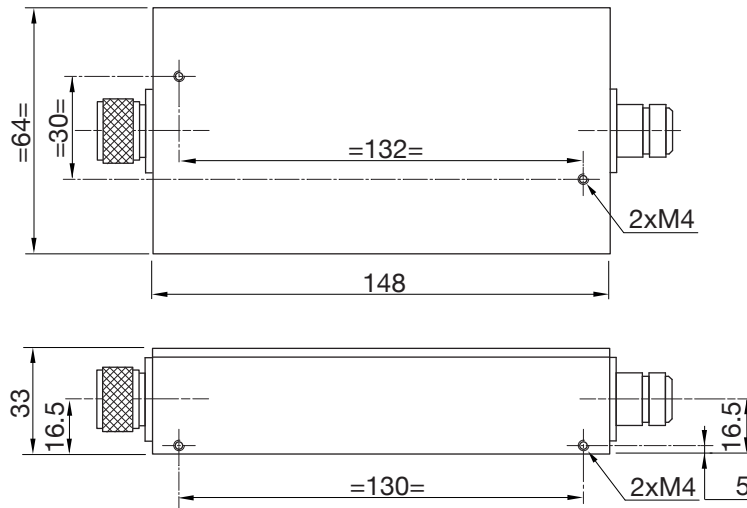


Band Pass Filter 118-400 MHz



News

Impedance	50 Ω
Frequency range	118 to 400 MHz
VSWR	< 1.5
Attenuation	-25 dB (at F < 108 MHz) / -30 dB (at F > 450 MHz)
Connector	N m / N f
Temperature range	-10° to +55°C
Maximum power	10 W
Weight	680 gr



Dimensions in mm

P/N	Model
30-0110	Band Pass Filter 118-400 MHz Nm-Nf