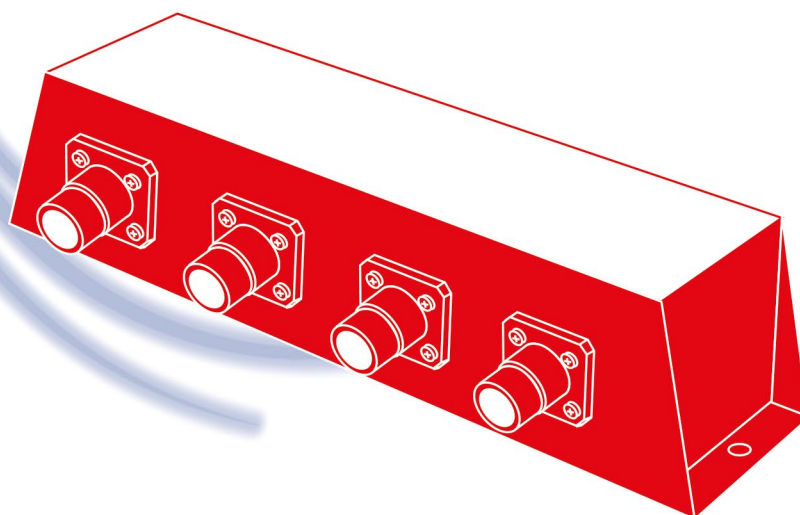


# PMR COMBINERS

## COUPLERS & DUPLLEXERS

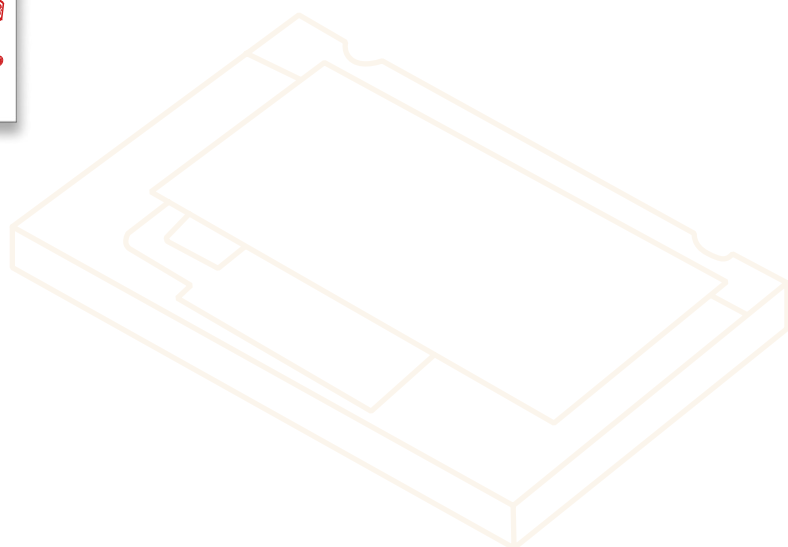


=> [Search by Part Number](#)



- ⇒ To combine multiple transmitters on single antenna
- ⇒ Robust Stripline Construction
- ⇒ High Directivity

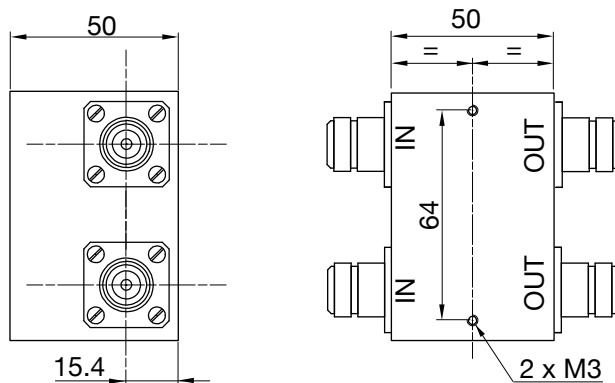
118-137 MHz	Hybrid Coupler	3	380-470 MHz	3 Ways Splitter	14
118-144 MHz	4 Ways Combiner	4	380-470 MHz	4 Ways Splitter	15
146-174 MHz	Hybrid Coupler	5	380-470 MHz	6 Ways Splitter	16
146-174 MHz	2 Ways Splitter	6	380-470 MHz	3-8 Ways Combiner	17
146-174 MHz	3 Ways Splitter	7	380-520 MHz	Hybrid Coupler	18
146-174 MHz	4 Ways Splitter	8	380-520 MHz	Splitter	19
200-350 MHz	Dual Band Combiner	9	380-520 MHz	Duplexer	20
225-400 MHz	Hybrid Coupler	10	380-520 MHz	Tetra Duplexer	21
225-400 MHz	4 Ways Combiner	11	380-520 MHz	PMR TX Combiner	22
380-470 MHz	Hybrid Coupler	12	Search by Part Number		23
380-470 MHz	2 Ways Splitter	13			



# 118-137 MHz Hybrid Coupler



Frequency	118-137 MHz
Impedance	50 Ω
Temperature range	- 10 to + 60°C
Average power	2 x 100 W
Weight	370 gr



Dimensions in mm

[Return to Search by Part Number](#)

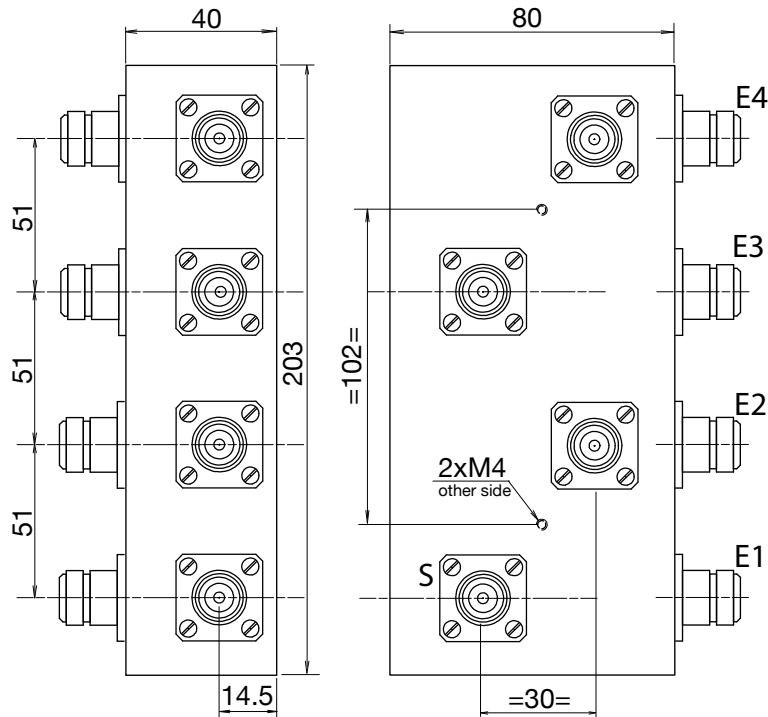
P/N	Coupling (dB)	Isolation (dB)	Max VSWR	Connectors
CHS-1114-N	3 ± 0.3	≥23	<1.2	N f



# 118-144 MHz 4 Ways Combiner



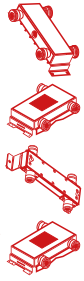
Frequency	118-144 MHz
Impedance	50 Ω
Temperature range	- 10 to + 55°C
Average power @ 25°C	4 x 100 W
Insertion loss	<0.25 dB
Weight	550 gr



Dimensions in mm

[Return to Search by Part Number](#)

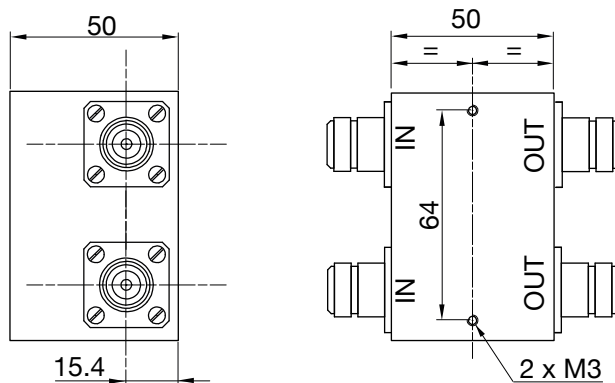
P/N	Coupling (dB)	Isolation (dB)	Max VSWR	Connectors
CH-1115-4N	6 ± 0.5	≥23	<1.2	N f



# 146-174 MHz Hybrid Coupler



Frequency	146-174 MHz
Impedance	50 Ω
Temperature range	- 10 to + 60°C
Average power	2 x 100 W
Weight	370 gr



PMR Combiners Couplers & Duplexers



Dimensions in mm

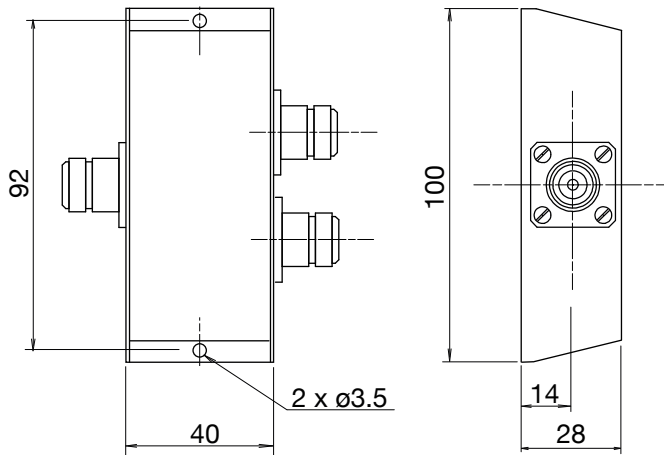
[Return to Search by Part Number](#)

P/N	Coupling (dB)	Isolation (dB)	Max VSWR	Connectors
CHS-1417-N	3 ± 0.3	≥23	<1.2	N f

# 146-174 MHz 2 Ways Splitter



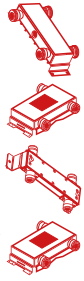
Frequency	146-174 MHz
Impedance	50 Ω
Temperature range	- 10 to + 55°C
Weight	350 gr



Dimensions in mm

[Return to Search by Part Number](#)

P/N	Coupling (dB)	Isolation (dB)	Max VSWR	Connectors
DP-1417-2N	3 ± 0.3	≥20	<1.2	N f



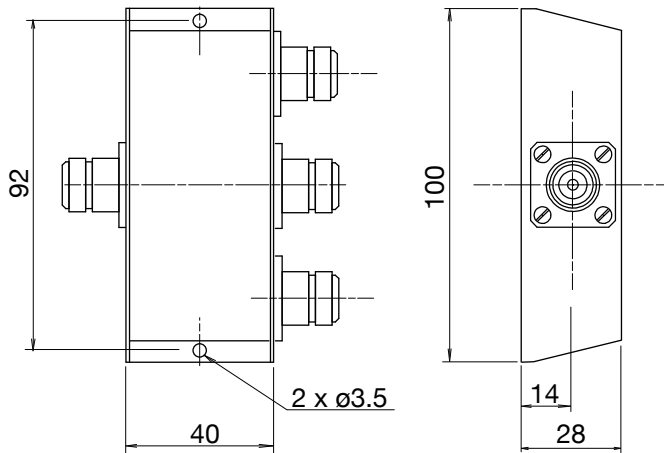
# 146-174 MHz 3 Ways Splitter



PMR Combiners Couplers & Duplexers



Frequency 146-174 MHz  
 Impedance 50 Ω  
 Temperature range - 10 to + 55°C  
 Weight 520 gr



Dimensions in mm

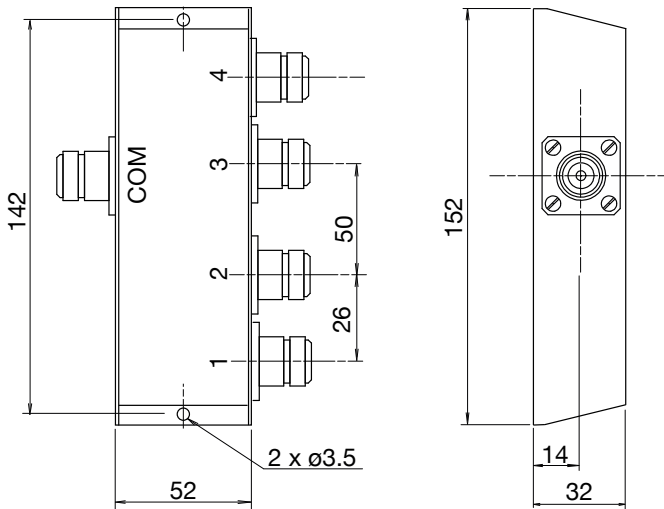
[Return to Search by Part Number](#)

P/N	Coupling (dB)	Isolation (dB)	Max VSWR	Connectors
DP-1417-3N	4.8 ± 0.3	≥20	<1.2	N f

# 146-174 MHz 4 Ways Splitter



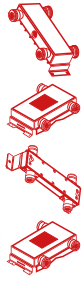
Frequency 146-174 MHz  
 Impedance 50 Ω  
 Temperature range - 10 to + 55°C  
 Weight 690 gr



Dimensions in mm

[Return to Search by Part Number](#)

P/N	Coupling (dB)	Isolation (dB)	Max VSWR	Connectors
DP-1417-4N	6.5 ± 0.4	≥20	<1.2	N f





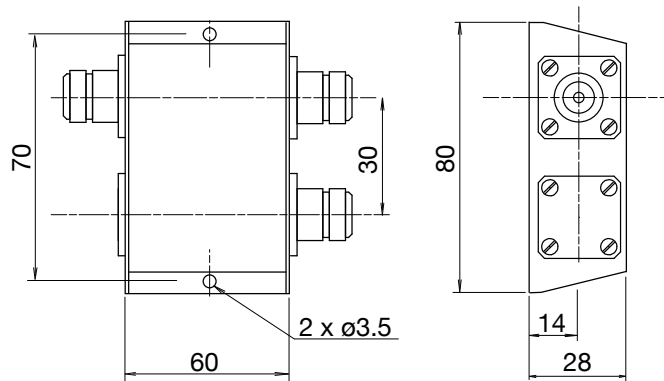
# 200-350 MHz Dual Band Combiner



PMR Combiners Couplers & Duplexers



Frequency	0-200 MHz / 350-500 MHz
Impedance	50 Ω
Temperature range	- 10 to + 55°C
Average power @ 25°C	2 x 20 W
Weight	210 gr



Dimensions in mm

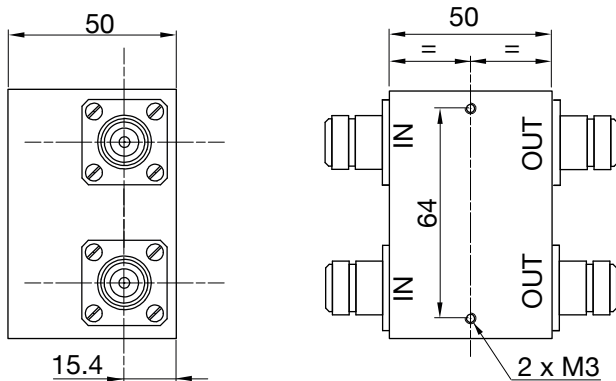
[Return to Search by Part Number](#)

P/N	Insertion loss (dB)	Isolation (dB)	Max VSWR	Connectors
DX 200 / 350 NF	<0.5	>40	<1.3	N f

# 225-400 MHz Hybrid Coupler



Frequency	225-400 MHz
Impedance	50 Ω
Temperature range	- 10 to + 60°C
Average power	2 x 100 W
Weight	370 gr



Dimensions in mm

[Return to Search by Part Number](#)

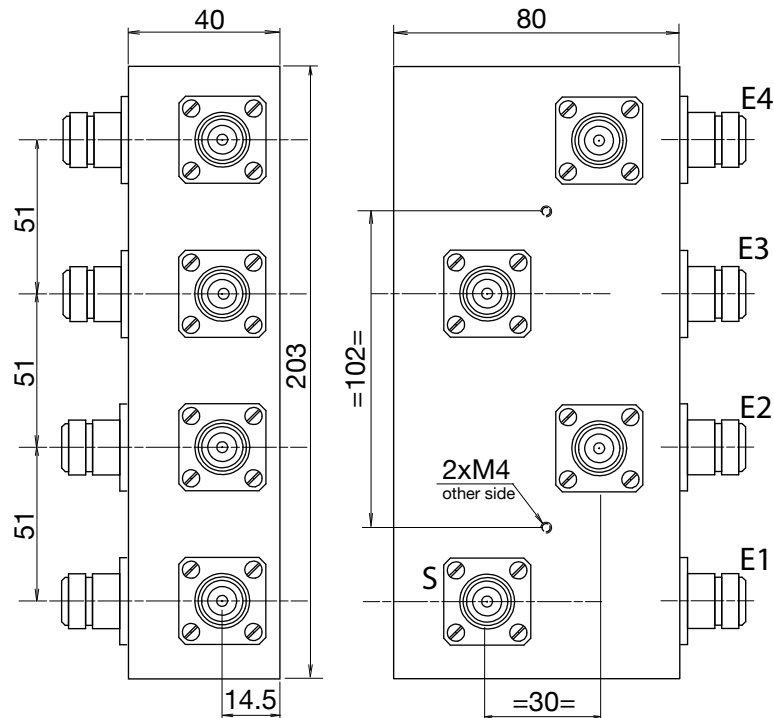
P/N	Coupling (dB)	Isolation (dB)	Max VSWR	Connectors
CHS-2240-N	3 ± 0.3	≥20	<1.2	N f



# 225-400 MHz 4 Ways Combiner



Frequency	225-400 MHz
Impedance	50 Ω
Temperature range	- 10 to + 55°C
Average power @ 25°C	4 x 100 W
Insertion loss	<0.25 dB
Weight	550 gr



Dimensions in mm

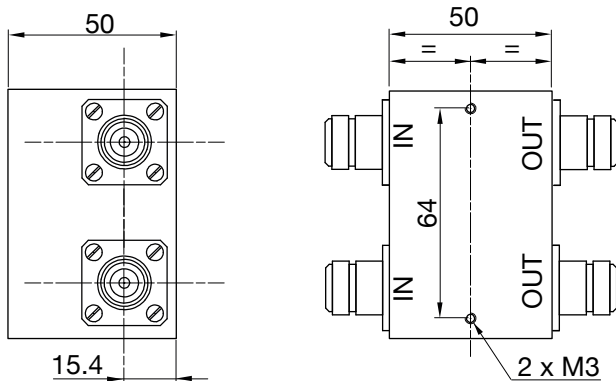
[Return to Search by Part Number](#)

P/N	Coupling (dB)	Isolation (dB)	Max VSWR	Connectors
CH-2240-4N	6 ± 0.5	≥23	<1.2	N f

# 380-470 MHz Hybrid Coupler



Frequency	380-470 MHz
Impedance	50 Ω
Temperature range	- 10 to + 60°C
Average power	2 x 100 W
Weight	370 gr



Dimensions in mm

[Return to Search by Part Number](#)

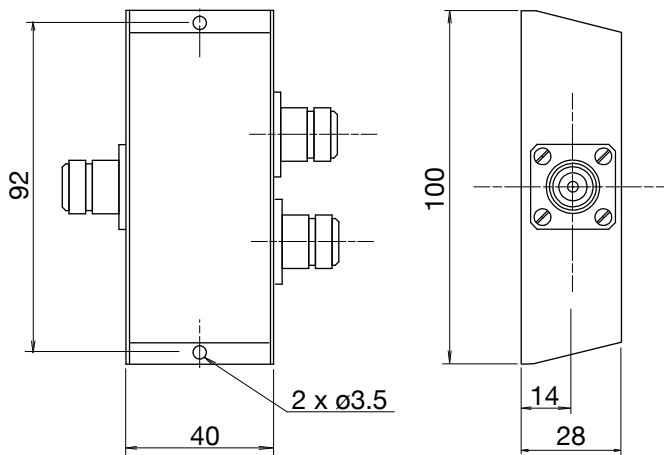
P/N	Coupling (dB)	Isolation (dB)	Max VSWR	Connectors
CHS-3847-N	3 ± 0.3	≥23	<1.2	N f
CHS-3847-NM	3 ± 0.3	≥23	<1.2	N m (in) / N f (out)



# 380-470 MHz 2 Ways Splitter



Frequency	380-470 MHz
Impedance	50 Ω
Temperature range	- 10 to + 55°C
Weight	350 gr



Dimensions in mm

[Return to Search by Part Number](#)

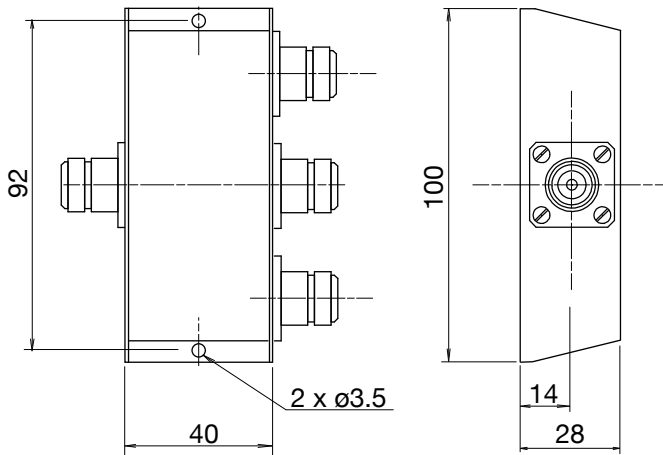
P/N	Coupling (dB)	Isolation (dB)	Max VSWR	Connectors
DP-3847-2N	3 ± 0.3	≥20	<1.2	N f



# 380-470 MHz 3 Ways Splitter



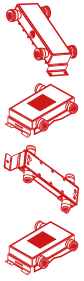
Frequency 380-470 MHz  
 Impedance 50 Ω  
 Temperature range - 10 to + 55°C  
 Weight 520 gr



Dimensions in mm

[Return to Search by Part Number](#)

P/N	Coupling (dB)	Isolation (dB)	Max VSWR	Connectors
DP-3847-3N	4.8 ± 0.3	≥20	<1.2	N f



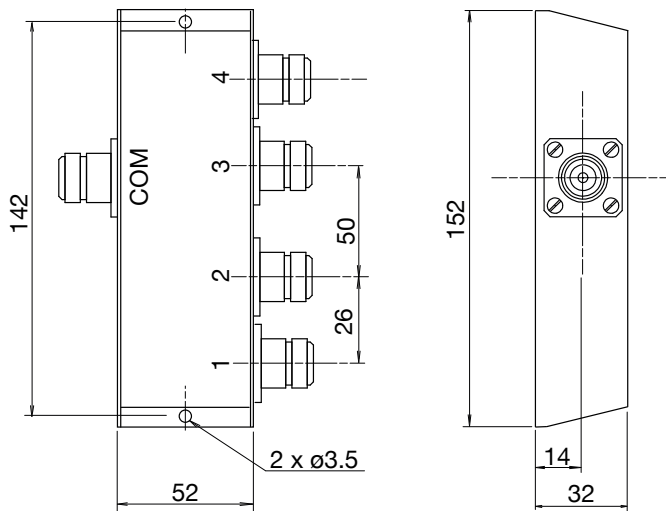
# 380-470 MHz 4 Ways Splitter



PMR Combiners Couplers & Duplexers



Frequency	380-470 MHz
Impedance	50 Ω
Temperature range	- 10 to + 55°C
Weight	690 gr



Dimensions in mm

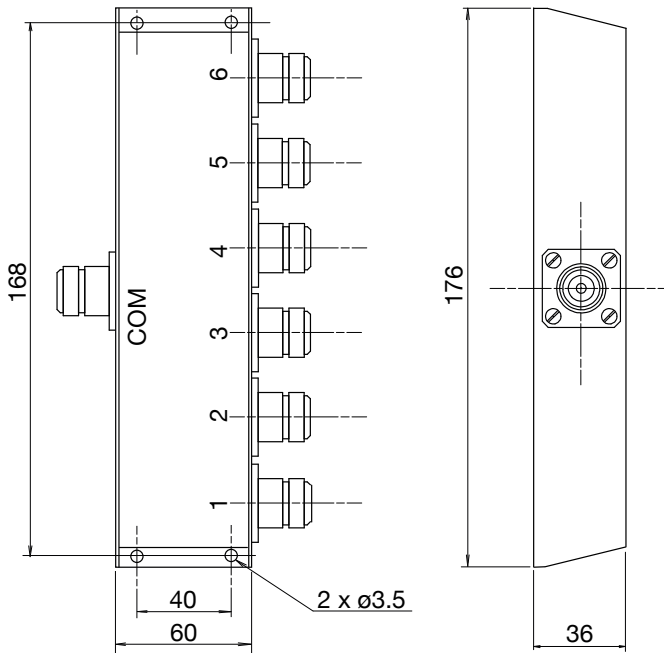
[Return to Search by Part Number](#)

P/N	Coupling (dB)	Isolation (dB)	Max VSWR	Connectors
DP-3847-4N	6 ± 0.3	≥20	<1.2	N f

# 380-470 MHz 6 Ways Splitter



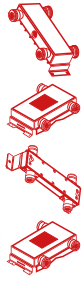
Frequency 380-470 MHz  
 Impedance 50 Ω  
 Temperature range - 10 to + 55°C  
 Weight 440 gr



Dimensions in mm

[Return to Search by Part Number](#)

P/N	Coupling (dB)	Isolation (dB)	Max VSWR	Connectors
DP-3847-6N	7.8 ± 0.3	≥20	<1.2	N f

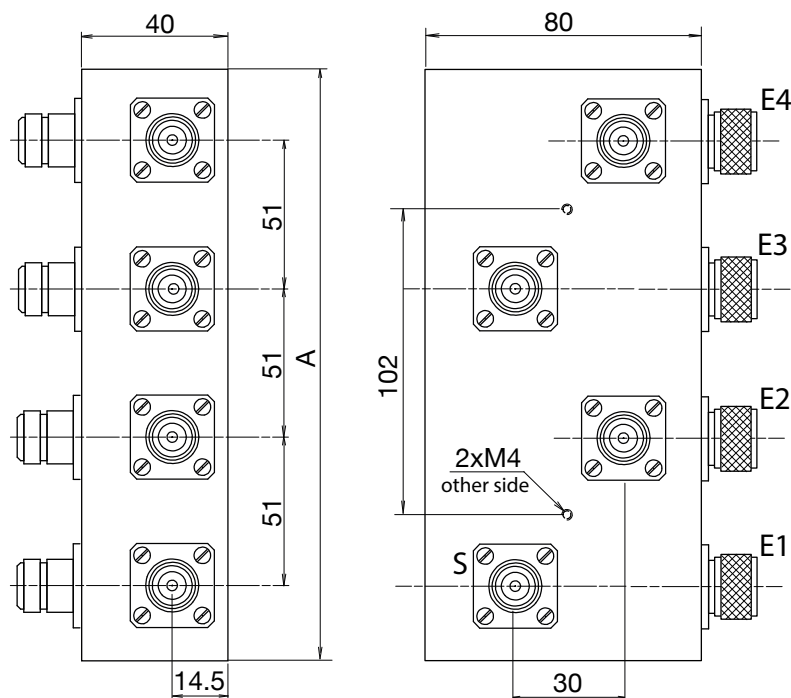




# 380-470 MHz 3-8 Ways Combiner



Frequency 380-470 MHz  
 Impedance 50 Ω  
 Temperature range - 10 to + 55°C  
 Average power @ 25°C n ways x 100 W



Dimensions in mm

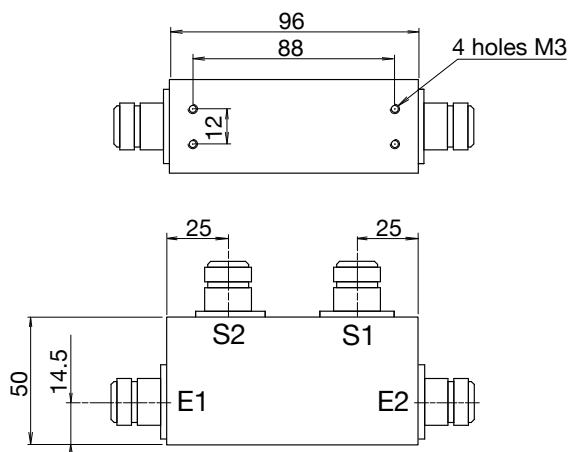
[Return to Search by Part Number](#)

P/N	N° of Ways	Coupling (dB)	Isolation (dB)	Max VSWR	A (mm)	Connectors
CH-3847-3N	3	4.8 ± 0.4	≥23	<1.2	151	N f
CH-3847-3NM	3	4.8 ± 0.4	≥23	<1.2	151	N m (in) / N f (out)
CH-3847-4N	4	6 ± 0.3	≥23	<1.2	203	N f
CH-3847-6N	6	9 ± 0.4	≥23	<1.2	305	N f
CH-3847-6NM	3	4.8 ± 0.4	≥23	<1.2	305	N m (in) / N f (out)
CH-3847-8N	8	12 ± 0.6	≥23	<1.2	409	N f

# 380-520 MHz Hybrid Coupler



Frequency	380-520 MHz
Impedance	50 Ω
Temperature range	- 10 to + 55°C
Average power	100 W
Weight	430 gr



Dimensions in mm

[Return to Search by Part Number](#)

P/N	Coupling (dB)	Isolation (dB)	Max VSWR	Connectors
CDB-3852-03	3 ± 0.5	≥23	<1.2	N f
CDB-3852-05	4.7 ± 0.5	≥23	<1.2	N f
CDB-3847-06	6 ± 0.5	≥23	<1.2	N f
CDB-3847-10	10 ± 0.5	≥23	<1.2	N f



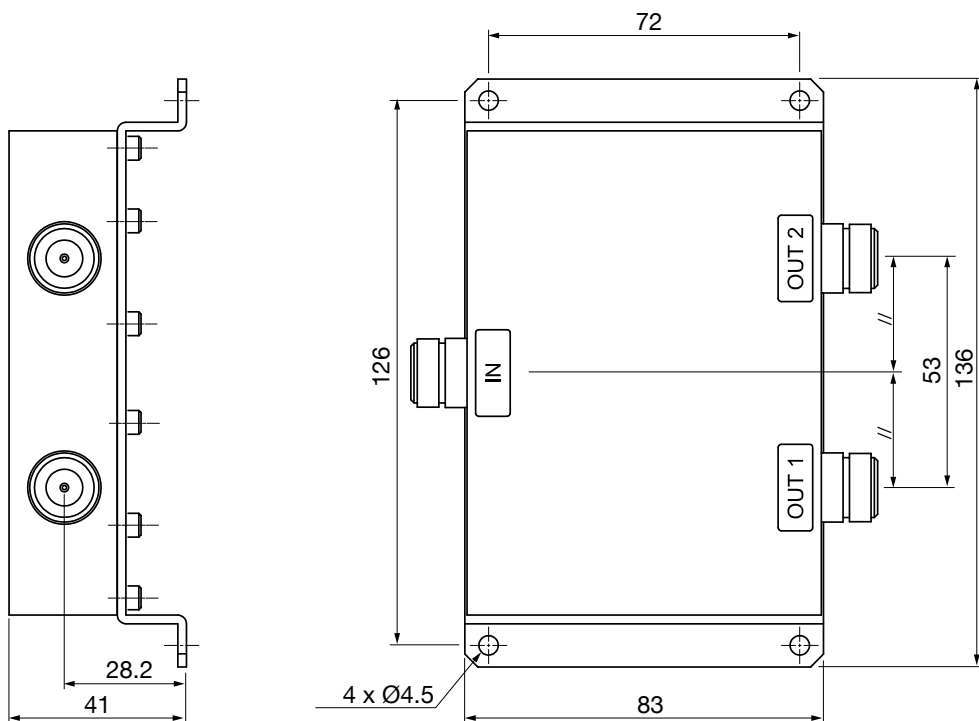
# 380-520 MHz Splitter



PMR Combiners Couplers & Duplexers



Frequency	380-520 MHz
Impedance	50 Ω
Temperature range	- 10 to + 60°C
Maximum power	120 W
Weather protection	IP 66
Weight	560 gr



Dimensions in mm

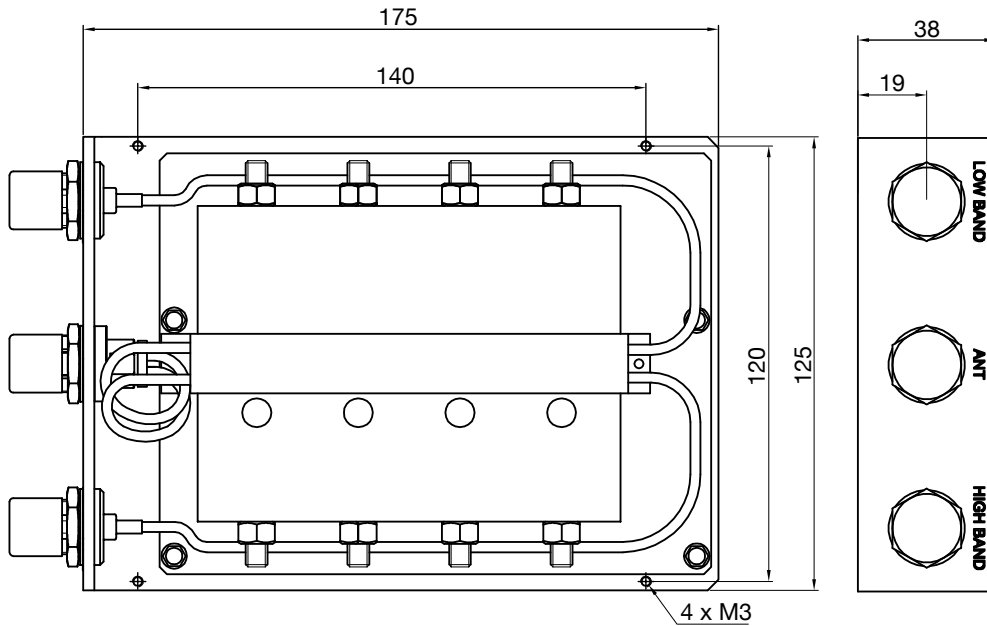
[Return to Search by Part Number](#)

P/N	Coupling (dB)	Isolation (dB)	Max VSWR	Connectors
807 391	3 ± 0.3	≥20	<1.2	N f

# 380-520 MHz Duplexer



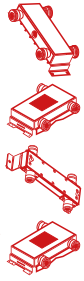
Frequency	380-520 MHz in 3 bands
Bandwidth	1 MHz
Duplex spacing	10 MHz
Impedance	50 Ω
Temperature range	- 25 to + 55°C
Average power @ 25°C	25 W
Material	Aluminium, brass, copper
Mounting	4 screws M3
Weight	650 gr



Dimensions in mm

[Return to Search by Part Number](#)

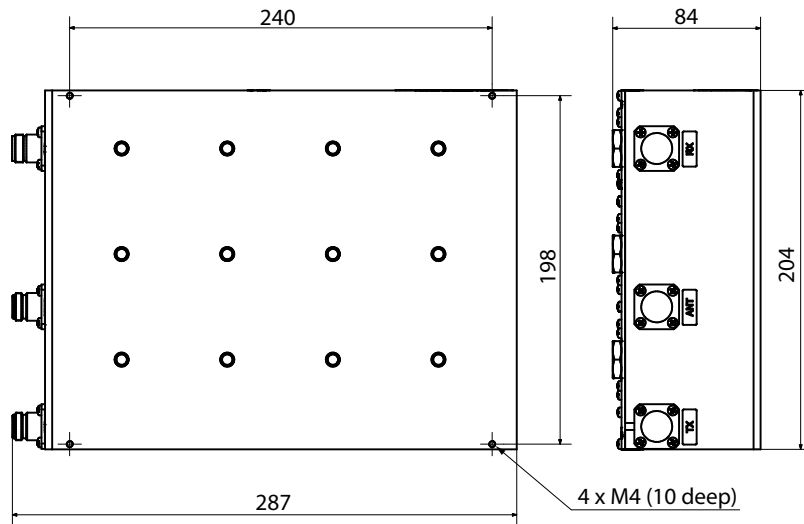
P/N	Frequency (MHz)	Isolation (dB)	Max VSWR	Insertion (dB)	Connectors
803 740	380-440	≥80	<1.4	<1.5	N f
803 750	430-480	≥80	<1.4	<1.5	N f
803 760	470-520	≥80	<1.4	<1.5	N f



# 380-520 MHz Tetra Duplexer



Frequency	380-520 MHz
Bandwidth	5 MHz
Duplex spacing	10 MHz
Intermodulation 5th order (2x43dBm)	< -150 dBc
Impedance	50 Ω
Temperature range	- 10 to + 60°C
Maximum power	150 W
Material	Aluminium, brass, cooper
Mounting	4 screws M4
Weight	4.4 Kg



Dimensions in mm

[Return to Search by Part Number](#)

P/N	Frequency (MHz)		Isolation (dB)	Max VSWR	Insertion (dB)	Connectors
	Low band	High band				
806 002	380-385	390-395	≥80	<1.2	<1.2	N f
806 040	410-415	420-425	≥80	<1.2	<1.2	N f
806 055	415-420	425-430	≥80	<1.2	<1.2	N f
806 016	440-445	450-455	≥80	<1.2	<1.2	N f
806 072	450-455	460-465	≥80	<1.2	<1.2	N f
806 086	455-460	465-470	≥80	<1.2	<1.2	N f

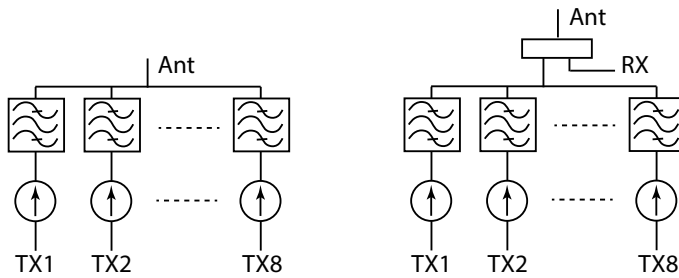
Option available inside a 19"2U rack

806 096	410-415	420-425	≥80	<1.2	<1.2	3 x N f, front panel
806 500	415-420	425-430	≥80	<1.2	<1.2	3 x N f, rear panel
806 073	450-455	460-465	≥80	<1.2	<1.2	3 x N f, front panel
806 089	380-385	390-395	≥80	<1.2	<1.2	3 x N f, rear panel
806 082	450-455	460-465	≥80	<1.2	<1.2	3 x N f, rear panel
806 087	455-460	465-470	≥80	<1.2	<1.2	3 x N f, rear panel

# 380-520 MHz PMR TX Combiner



Impedance	50 $\Omega$
Inputs	n= 2 to 4 + 4
Frequency range	380... 520 MHz (tunable)
Min frequency spacing	150 kHz
Maximal power (each TX)	100 W
Insertion loss (1 up to 8 TX)	< 6 dB
VSWR (TX / Ant)	< 1.2 (TX) < 2.0 (Ant)
Attenuation	> 5 dB (at $f_0 \pm 150$ kHz)
TX-TX isolation	> 70 dB (Antenna VSWR = 1.0)
Intermodulation IM3	-43 dBm (2x50w)
Connector	N f
Temperature range	-10°C + 55°C
Temperature variation	< 0.2 kHz/°C
Dimensions	430 x 380 x 1000 mm
Weight	60 kg



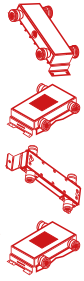
MCT4 or MCT8

MCTD4 or MCTD8

[Return to Search by Part Number](#)

P/N	Model	Nb Chanel
00 371 801	PMR Combiner 380-520 MHz MCT4	4
00 403 401	PMR Combiner with Duplexer 380-520 MHz MCTD4	4
00 382 901	PMR Combiner 380-520 MHz MCT8	8
00 405 101	PMR Combiner with Duplexer 380-520 MHz MCTD8	8

\* Contact us for different operating frequency



# Search by Part Number

Part number	Page
<a href="#">CDB-3847-06</a>	Y18
<a href="#">CDB-3847-10</a>	Y18
<a href="#">CDB-3852-03</a>	Y18
<a href="#">CDB-3852-05</a>	Y18
<a href="#">CHS-1114-N</a>	Y3
<a href="#">CH-1115-4N</a>	Y4
<a href="#">CH-2240-4N</a>	Y11
<a href="#">CH-3847-3N</a>	Y17
<a href="#">CH-3847-3NM</a>	Y17
<a href="#">CH-3847-4N</a>	Y17
<a href="#">CH-3847-6N</a>	Y17
<a href="#">CH-3847-6NM</a>	P17
<a href="#">CH-3847-8N</a>	Y17
<a href="#">CHS-1417-N</a>	Y5
<a href="#">CHS-2240-N</a>	Y10
<a href="#">CHS-3847-N</a>	Y12
<a href="#">CHS-3847-NM</a>	Y12
<a href="#">DP-1417-2N</a>	Y6
<a href="#">DP-1417-3N</a>	Y7
<a href="#">DP-1417-4N</a>	Y8
<a href="#">DP-3847-2N</a>	Y13
<a href="#">DP-3847-3N</a>	Y14
<a href="#">DP-3847-4N</a>	Y15
<a href="#">DP-3847-6N</a>	Y16
<a href="#">DX 200 / 350 NF</a>	Y9
<a href="#">807 391</a>	Y19
<a href="#">803 740</a>	Y20
<a href="#">803 750</a>	Y20
<a href="#">803 760</a>	Y20
<a href="#">806 002</a>	Y21
<a href="#">806 040</a>	Y21
<a href="#">806 055</a>	Y21
<a href="#">806 016</a>	Y21
<a href="#">806 072</a>	Y21
<a href="#">806 086</a>	Y21
<a href="#">806 096</a>	Y21
<a href="#">806 073</a>	Y21
<a href="#">806 089</a>	Y21
<a href="#">806 082</a>	Y21
<a href="#">806 087</a>	Y21
<a href="#">806 500</a>	Y21
<a href="#">00 371 801</a>	Y22
<a href="#">00 403 401</a>	Y22
<a href="#">00 382 901</a>	Y22
<a href="#">00 405 101</a>	Y22



PMR Combiners Couplers & Duplexers



