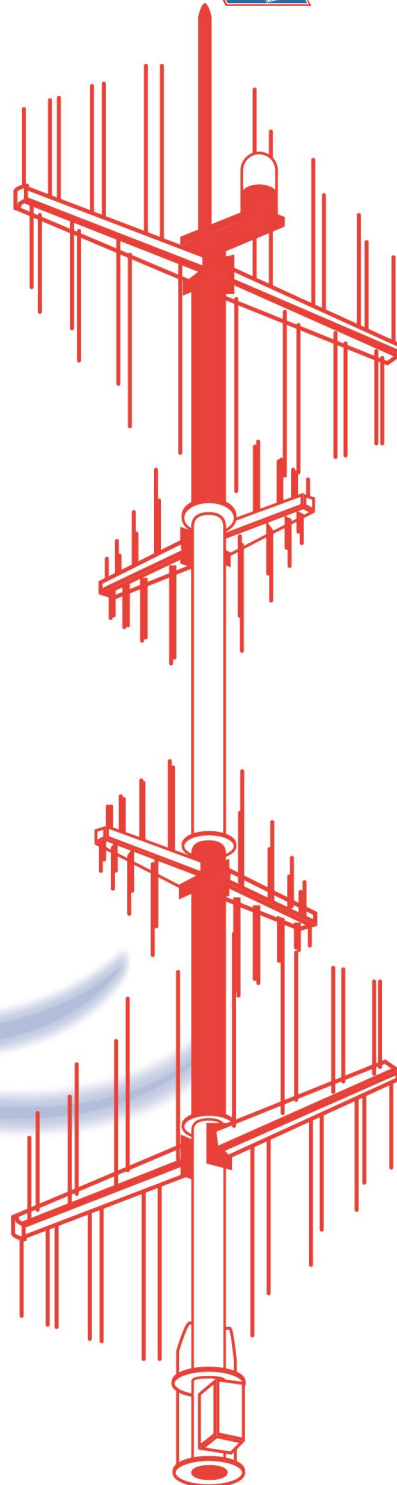
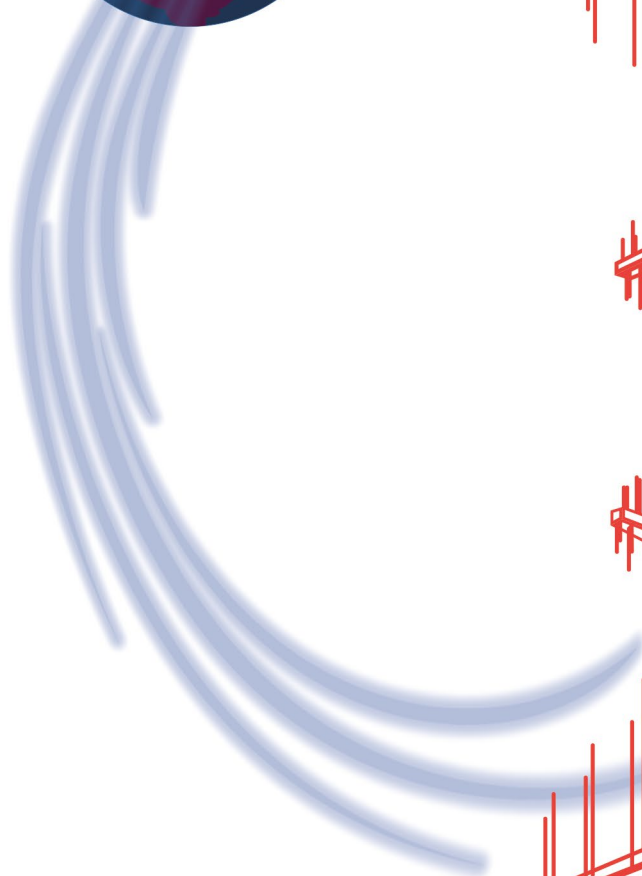


AIR TRAFFIC CONTROL ANTENNAS



[=> Search by Part Number](#)





For Communications between Aircrafts & Ground

- ⇒ Robust Construction for Harsh Environment
- ⇒ 100% RF Controlled
- ⇒ Low VSWR for Power Transmission
- ⇒ Antennas Easy Groupment
- ⇒ Short Deployment Time Tactical Systems

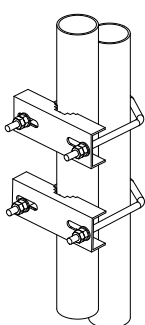
AVGP 110 - 150	3	AVDLP 3H	22
AVGP Lite 117-145	4	AUDLP 1	23
AVGP 110 - 145 1KW	5	AUDLP 2L / 2H	24
AVGP 100 - 180 IIB	6	AUDLP 3L / 3H	25
VHF Antenna System 6.5M / 5M	7	AVUVLP 2H	26
ADVU 110 - 500	8	AVUDLP 2H	27
V/UHF Dual Antennas System	9	AVDIP 115 - 145	28
V/UHF Tactical Antenna System	10	AVPAN 115 - 145	29
A3VU 110 - 400	11	AVPANDD 115-145 BIIA	30
ATVU 110 - 400	12	AUPANDD 225-400	31
V/UHF Tactical Antenna System	13	Power splitter BJ Aero	32
AUDE 225 - 380	14	MTT Mast 6.5M / 5M	33
Lite V/UHF Dual Antenna System	15	Tactical MTLV Mast 10M / 5M	34
ADU 225 - 400	16	Lite Mast 12M	35
AVULP 100-500	17	Empty cable drum	36
AVLP 110 - 150	18	NNO cross list reference	37
AULP 225 - 400	19	Search by Part Number	38
AVDLP 1	20	Notes	39
AVDLP 2L/2H	21		

AVGP 110 - 150

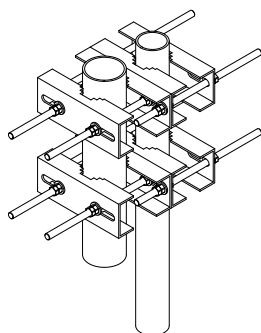


Frequency range	110 to 150 MHz	Height	0.95 m
Impedance	50 Ω	Maximum span	0.98 m
VSWR in the band	< 2.2	Dipole diameter	65 mm
VSWR (118-136 MHz)	< 1.6	Material	AGS - POM C
Isotropic gain	2.5 dBi	Weight	2.8 kg
Polarization	Vertical	Wind loading area	0.08 m ² (0.1 m ² with cover)
Radiation pattern		Wind speed resistance	230 km/h without frost
- E plane	100°	Wind load at 160 km/h	29 N
- H plane	omni at ± 0.5 dB	Temperature range	-40° to +70°C
Maximum input power	500 W cw		
Output cable assembly	Nf - RG 214/U - L = 0.5 m		

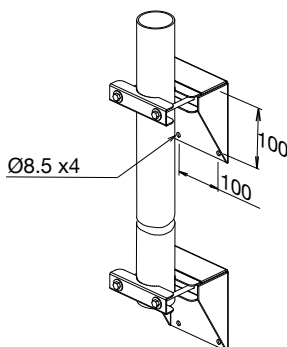
Safety : all metal parts are at equipotential and connected to ground



98-0206



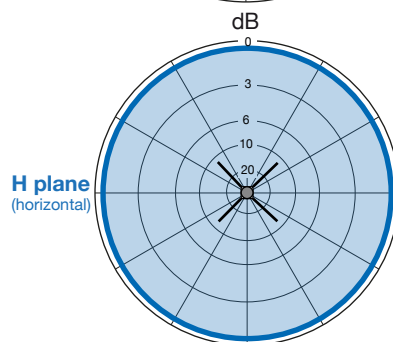
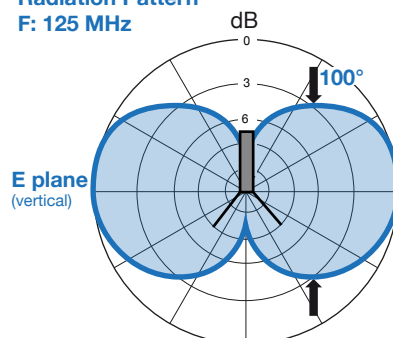
98-0207



98-0208

Dimensions in mm

Radiation Pattern
F: 125 MHz



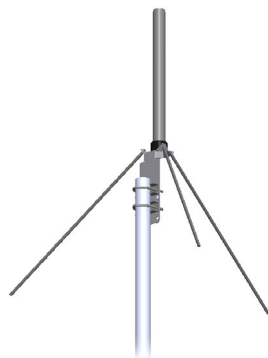
Return to Search by Part Number

P/N	Model	Version	Fixation included	NNO*
99-0070	AVGP 110-150	Tube Ø 63mm L=1.5m	98-0206	✓
99-0004	AVGP 110-150	Tube Ø 63mm L=2.5m	98-0207	-
99-0005	AVGP 110-150/C	Fiber glass cover	98-0206	-
99-0101	AVGP 110-150/T	Tactical NATO green 24x5	-	✓

P/N	Mounting hardware
98-0206	2 clamps for Ø 35-70
98-0207	2 clamps for Ø 30-114
98-0208	2 shelters mount

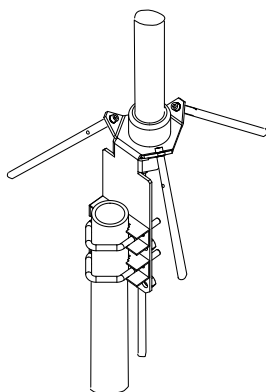
Contact us for cable assemblies request
* See NNO crosslist reference page U37

AVGP Lite 117-145

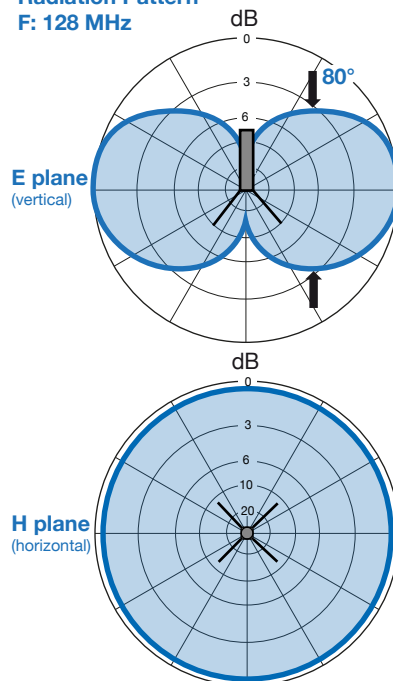


Frequency range	117 to 145 MHz	Height	0.93 m
Impedance	50 Ω	Maximum span	0.885 m
VSWR in the band	< 2.5	Dipole diameter	40 mm
VSWR (118-136 MHz)	< 1.8	Material	passivated aluminium
Isotropic gain	2.15 dBi	Weight	1.7 kg
Polarization	Vertical	Wind loading area	0.04 m ²
Radiation pattern		Wind speed resistance	200 km/h
- E plane	80°	Wind load at 160 km/h	40 N
- H plane	omni at ± 0.5 dB	Temperature range	-40° to +70°C
Maximum input power	500 W cw	Fixation included	\varnothing 25 to 50mm
Connector	Nf		

Safety : all metal parts are at equipotential and connected to ground



Radiation Pattern
F: 128 MHz



[Return to Search by Part Number](#)

P/N	Model
99-0135	AVGP 117-145

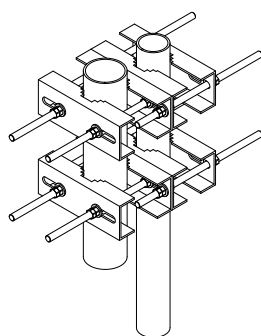
contact us for cable assemblies request

AVGP 110 - 145 1KW

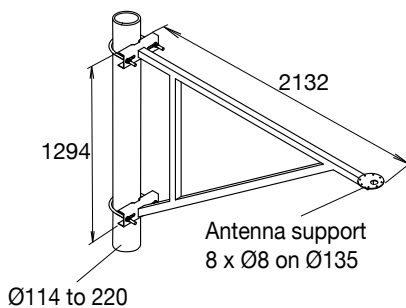


Frequency range	110 to 145 MHz	Height	0.95 m
Impedance	50 Ω	Maximum span	1.10 m
VSWR in the band	< 2.2	Dipole diameter	65 mm
VSWR (118-136 MHz)	< 1.5	Material	AGS - POM C
Isotropic gain	2.5 dBi	Weight	3.5 kg (14 kg with cover)
Polarization	Vertical	Wind speed resistance	230 km/h without frost
Radiation pattern		Wind load at 160 km/h	32 N
- E plane	100°	Temperature range	-40° to +70°C
- H plane	omni at ± 0.5 dB	Color	White RAL 9010
Maximum input power	1 kw cw		
Connector	7-16 f		

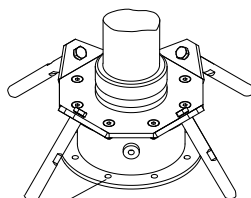
Safety : all metal parts are at equipotential and connected to ground



98-0207



98-1253

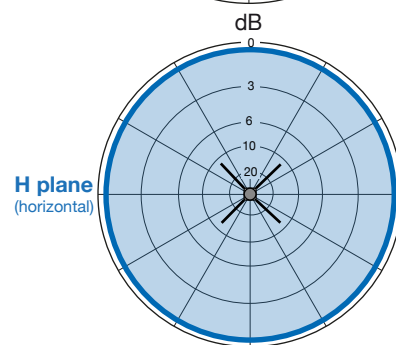
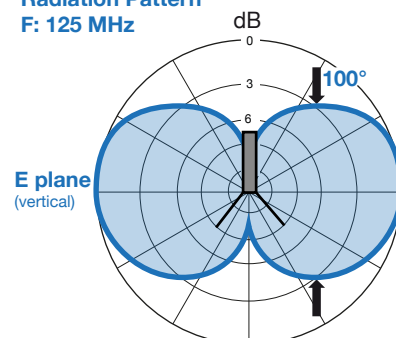


99-0117

Dimensions in mm

8 x Ø7 on Ø135

Radiation Pattern
F: 125 MHz



[Return to Search by Part Number](#)

P/N	Model	Version	Accessories included
99-0117	AVGP 110-140	Without tube	-
99-0117B	AVGP 110-140	Tube Ø 63mm L=2.5m	98-0207 + 314-093
99-0155	AVGP 110-140/C	Fiber glass cover	-

P/N	Accessories
98-0207	2 Clamps for Ø 30-114
98-1253	Offset bracket mount
314-093*	1/2" SF 7-16m/m L3m

* contact us for other cable assemblies length request

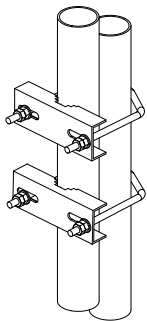


AVGP 100 - 180 IIB

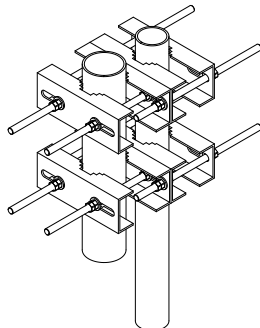


Frequency range	100 to 180 MHz	Height	0.95 m
Impedance	50 Ω	Maximum span	1.10 m
VSWR in the band	< 2.0	Dipole diameter	138 mm
VSWR (118-136 MHz)	< 1.6	Material	AGS - POM C - Fiberglass steel
Isotropic gain	2.5 dBi	Weight	6.5 kg
Polarization	Vertical	Wind speed resistance	230 km/h without frost
Radiation pattern		Wind load at 160 km/h	35 N
- E plan	100°	Temperature range	-40° to +70°C
- H plan	omni at ± 0.5 dB	Color	White RAL 9010
Maximum input power	600 W cw		
Connector	Nf		

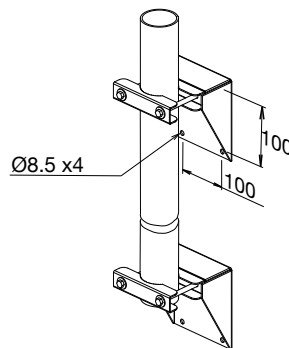
Safety : all metal parts are at equipotential and connected to ground



98-0206



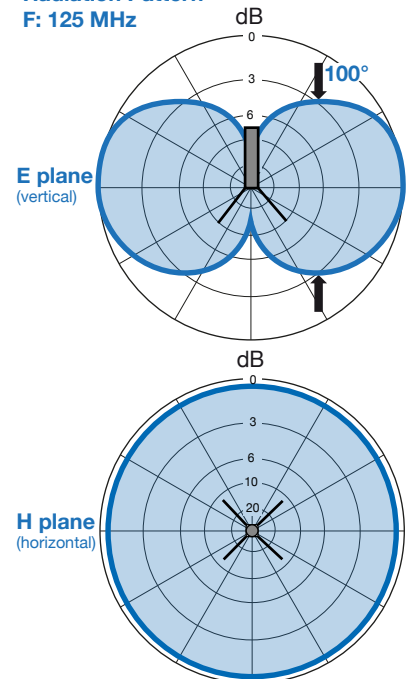
98-0207



98-0208

Dimensions in mm

Radiation Pattern
F: 125 MHz



Return to Search by Part Number

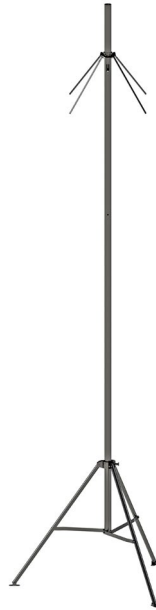
P/N	Model	Version	NNO*
99-0141	AVGP 100-180 IIB	Tube Ø 63 L=1m	✓

P/N	Mounting hardware
98-0206	2 Clamps for Ø 35-70
98-0207	2 Clamps for Ø 30-114
98-0208	2 shelters mount

Contact us for cable assemblies request
* See NNO crosslist reference page U37



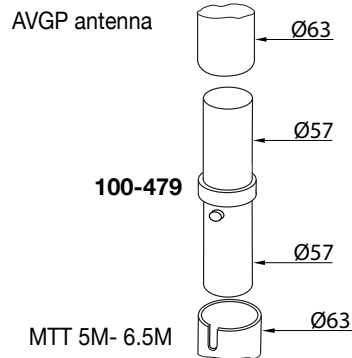
VHF Antenna System 6.5M / 5M



Air Traffic Control Antennas



Frequency range	110 - 150 MHz	Deployment time with 2 operators	< 10 min
Deployed height	6.5 m / 5 m	Temperature range	-40° to +70°C
Lifting method	Tipping	Total weight packed	20 kg / 15 kg
Number of tubes	3 / 2	Color*	Grey
Max. load on the top	20 kg		
Max. area on the top	0.3 m ²		
Max. wind speed during installation	< 20 km/h		
Max. wind speed in operation	< 80 km/h		



Dimensions in mm

[Return to Search by Part Number](#)

P/N	Model
99-0184	VHF Antenna System 5M
99-0185	VHF Antenna System 6.5M

P/N	Model 99-0184	Model 99-0185
99-0070	AVGP 110 - 150 Antenna	AVGP 110 - 150 Antenna
98-0001	MTT 5M Mast	-
98-0002	-	MTT 6.5M Mast

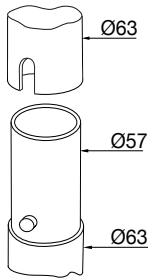
*Other color on request: NATO green, White
Contact us for cable assemblies request

ADVU 110 - 500

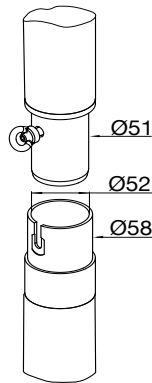


Frequency range	110 to 500 MHz	Height	1.20 m
Impedance	50 Ω	Radom height	0.92 m
VSWR in the band	< 1.8	Radom diameter	0.41 m
VSWR (118-137 & 225-400 MHz)	< 1.5	Materials	AGS - Fiberglass
Isotropic gain	2.5 dBi	Weight	12 kg
Polarization	Vertical	Wind loading area	0.39 m ²
Radiation pattern		Wind speed resistance	180 km/h without frost
- E plane	90°	Wind load at 160 km/h	46 N
- H plane	omni at ± 0.5 dB	Temperature range	-40° to +70°C
Maximum input power	300 W cw		
Connector	Nf		

Safety : all metal parts are at equipotential and connected to ground



MTLV interface



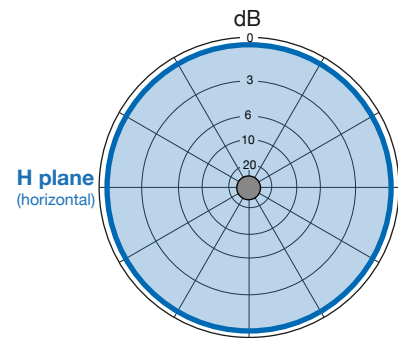
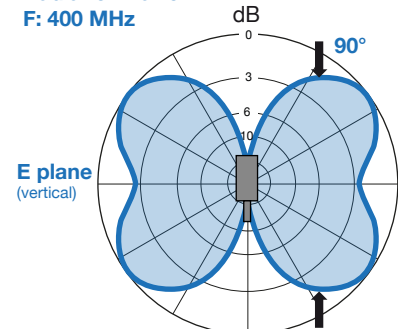
Tactical interface

Dimensions in mm

[Return to Search by Part Number](#)

P/N	Model	Color	NNO*
99-0010	ADVU 110-500	NATO green	✓
99-0012	ADVU 110-500-T in bag	NATO green	✓
99-0021	ADVU 110-500	Desert sand	-
99-0084	ADVU 110-500	Navy grey	-
99-0084R	ADVU 110-500	Red	-
99-0048	ADVU-T 110-500	NATO green	✓

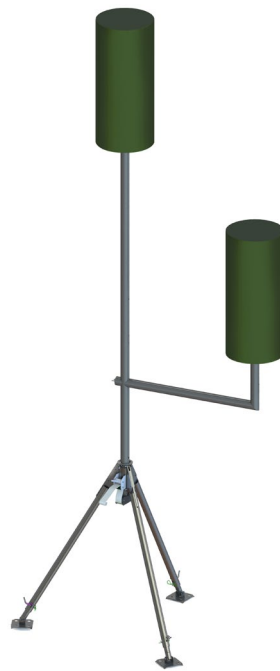
Radiation Pattern
F: 400 MHz



P/N	Accessories	Color
98-1093	Bag	NATO green
98-1193 B	Tube + 2 Clamps for Ø30-114	Navy grey

Contact us for cable assemblies request
* See NNO crosslist reference page U37

V/UHF Dual Antennas System



Air Traffic Control Antennas

Frequency range	110 to 500 MHz	Max. wind speed during installation	<30 km/h-8m/s
Deployed height	10 m	Max. wind speed in operation	<116 km/h-32m/s
Lifting method	Strap	Max. wind speed	<136 km/h-37m/s
Number of tubes	8 (1.20 m)	Deployment time (2 operators)	< 15 min
Max. load on the top	40 kg	Temperature range	-40° to +70°C
Max. area on the top	0.5 m ²	Total weight packed	69 kg
Guying radius on the ground	6 m	Color	NATO green
Nb of guys per level	3 @ 120°	Packing	Bag IP 45
Nb of levels	2 @ 6 & 10 m		
Cable drum capacity:	60 m with Ø13 mm 90 m with Ø10.8 mm		

Safety : all metal parts are at equipotential and connected to ground

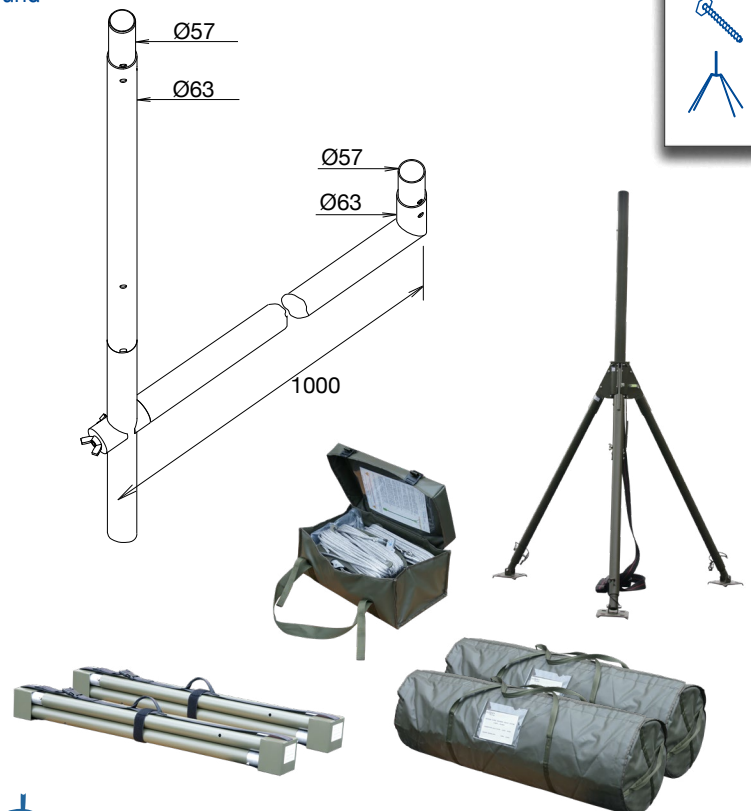
Dimensions in mm

[Return to Search by Part Number](#)

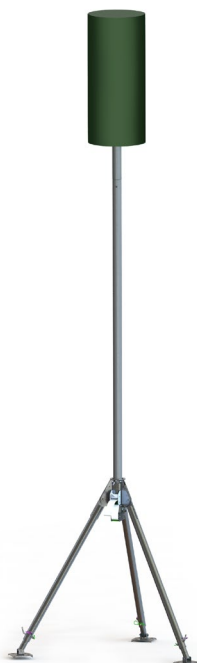
P/N	Model	NNO*
99-0183*	V/UHF Dual Antenna System	-

P/N	Model	NNO*
99-0012	2 x ADVU 110-500-T in bag	✓
98-0005	MTLV 10M	✓
98-0210	Antenna deport	-
98-0137	Empty Cable drum	-

Contact us for cable assemblies request
*Includes 2 empty cable drum



V/UHF Tactical Antenna System

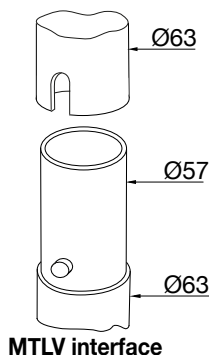


Air Traffic Control Antennas



Frequency range	110 to 500 MHz	Deployment time (2 operators)	< 15 min
Deployed height	10 m	Temperature range	-40° to +70°C
Lifting method	Vertical	Total weight packed	57 kg
Number of tubes	8 (1.20m)	Color	NATO green
Guying radius on the ground	6 m	Packing	4 bags IP 45
Nb of guys per level	3 @ 120°		2 quivers of 4 mast tubes
Nb of levels	2 @ 6 & 10 m	Low loss coaxial cable	30 m cable wound in a drum
Max. wind speed during installation	<30 km/h-8m/s	Connector	Nm
Max. wind speed in operation	<116 km/h-32m/s		
Max. wind speed	<136 km/h-37m/s		

Safety : all metal parts are at equipotential and connected to ground



MTLV interface

Dimensions in mm

[Return to Search by Part Number](#)

P/N	Model	Color	NNO*
99-0009	Tactical V/UHF antenna System	NATO green	✓
P/N	Model	Color	NNO*
99-0012	ADVU 110-500-T in bag	NATO green	✓
98-0005	Tactical mast MTLV 10M	NATO green	✓
98-0046	30m Cable drum with Nm connector	NATO green	✓



Contact us for cable assemblies request
* See NNO crosslist reference page U37

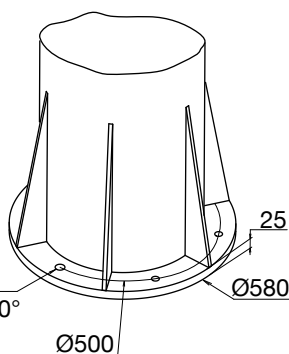
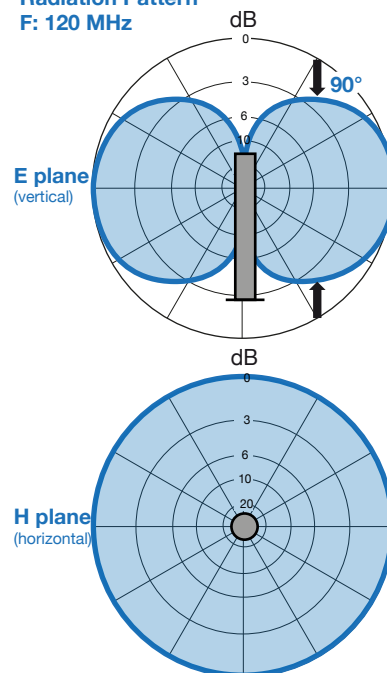
A3VU 110 - 400



Frequency range	110 to 400 MHz	Maximum input power	500 W cw
Impedance	50 Ω	Connector	3 x 7-16f
VSWR in the bands	< 2.0	Height	8.40 m
Isotropic gain	2.5 dBi	Radom diameter	0.42 m
Polarization	Vertical	Material	AGS - Fiberglass
Radiation pattern		Weight	150 kg
- E plane (vertical)	90°	Wind loading area	2.8 m ²
- H plane (horizontal)	omni at ± 0.5 dB	Wind speed resistance	180 km/h without frost
Isolation between 2 antennas		Wind load at 160 km/h	330 daN
2 adjacent antennas	35dB	Temperature range	-40° to +80°C
Top and bottom antennas	45dB		

Safety : all metal parts are at equipotential and connected to ground

Radiation Pattern
F: 120 MHz



Dimensions in mm

[Return to Search by Part Number](#)

P/N	Model	Color**	NNO*
99-0181	A3VU 110-400	Grey	✓

Contact us for cable assemblies request

* See NNO crosslist reference page U37

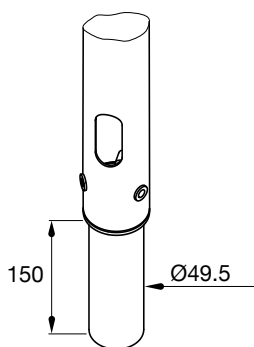
** Other color on request

ATVU 110 - 400



Frequency range	110 to 400 MHz	Height	1.13 m
Impedance	50 Ω	Radom diameter	0.41 m
VSWR in the bands	< 2.0	Material	AGS - POMC
Isotropic gain	2.5 dBi	Weight	6 kg
Polarization	Vertical	Wind loading area	0.39 m ²
Radiation pattern		Wind speed resistance	180 km/h without frost
- E plane	70° to 100°	Wind load at 160 km/h	20 N
- H plane	omni at ± 0.5 dB	Temperature range	-40° to +70°C
Maximum input power	400 W cw		
Connector	Nf		

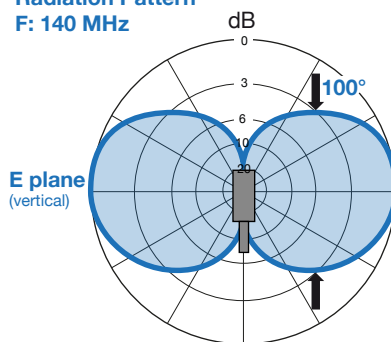
Safety : all metal parts are at equipotential and connected to ground



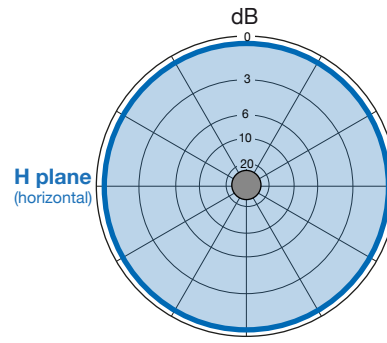
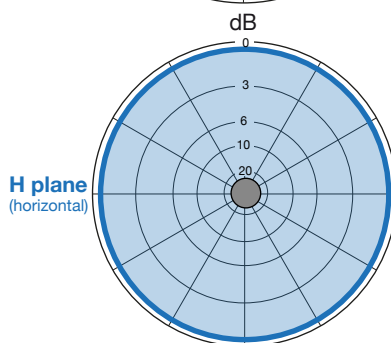
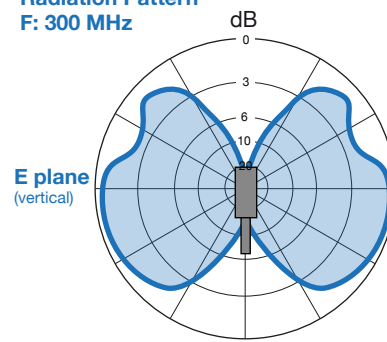
Compatible with lite mast 98-0117

Dimensions in mm

Radiation Pattern
F: 140 MHz



Radiation Pattern
F: 300 MHz



Return to Search by Part Number

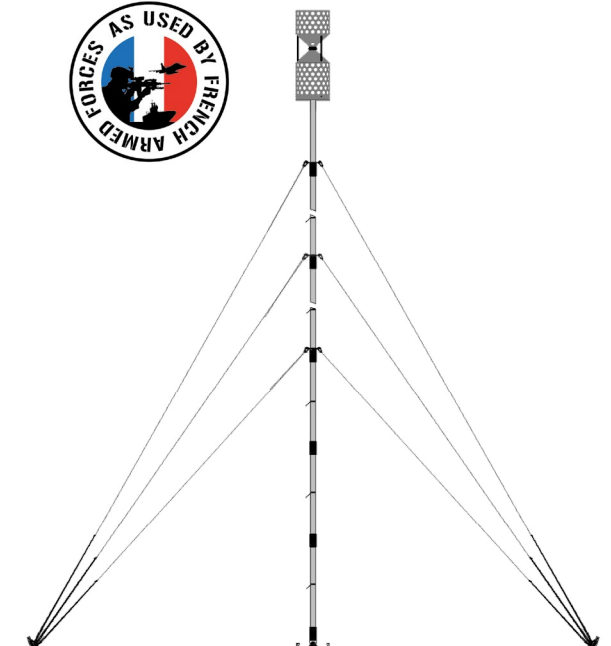
P/N	Model	Color	NNO*
99-0140	ATVU 110-400	NATO green	✓
99-0106	ATVU 110-400 in bag	NATO green	-
98-0115	Bag for ATVU Antenna	NATO green	✓



Contact us for cable assemblies request
* See NNO crosslist reference page U37



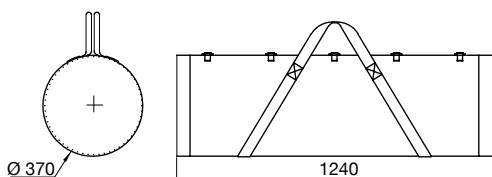
V/UHF Tactical Antenna System



Air Traffic Control Antennas

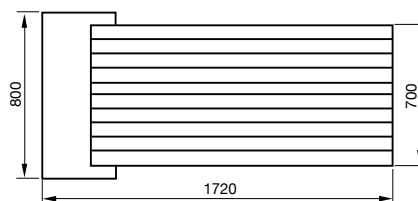
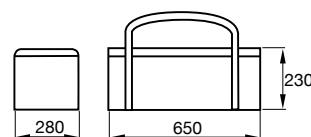


Frequency range	110 to 400 MHz	Max. wind speed in operation	<116 km/h-32m/s
Deployed height	12 m	Max. wind speed	<136 km/h-37m/s
Lifting method	Tilt	Deployment time (2 operators)	< 15 min
Number of tubes	8 (1.4m) + 1 (1m)	Temperature range	-40° to +70°C
Guying radius on the ground	6 m	Total weight packed	51 kg
Nb of guys per level	4 @ 90°	Color	NATO green
Nb of levels	3 @ 5, 9 & 12m	Packing	3 bags IP 45
Max. wind speed during installation	<30 km/h-8m/s		



98-0115

98-0117



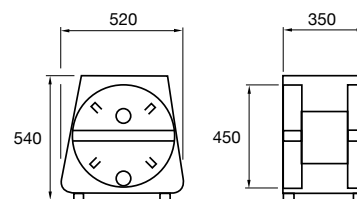
Dimensions in mm

[Return to Search by Part Number](#)

P/N	Model	NNO*
99-0186	Lite V/UHF antenna System	5985-14-603-3257

P/N	Model	NNO*
99-0140	ATVU 110-400 Antenna	5985-14-509-2324
98-0115	Bag for ATVU Antenna	5985-14-603-3262
98-0117	Lite mast 12M	5985-14-603-3266
98-0137	Empty cable drum	8130-14-603-3270
314-313	RG214/U Cable Nm/Nm 50m	-

98-0137



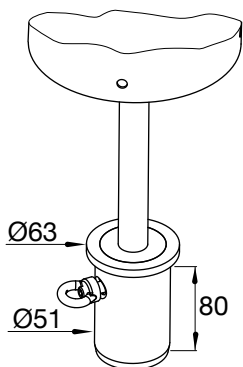
Contact us for cable assemblies request
* See NNO crosslist reference page U37

AUDE 225 - 380



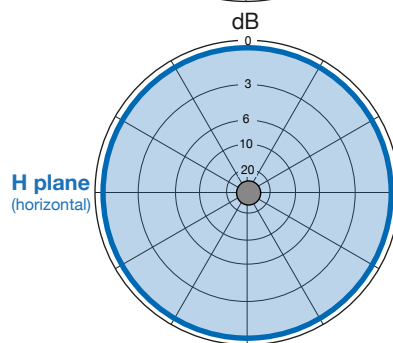
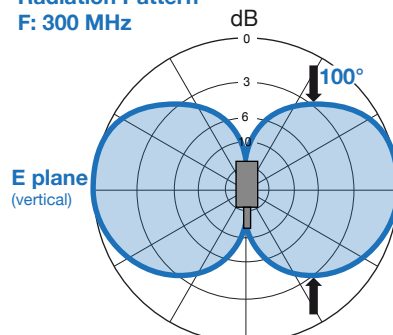
Frequency range	225 to 380 MHz	Height	0.85 m
Impedance	50 Ω	Radom diameter	120 mm
VSWR in the bands	< 1.8	Material	AGS - POM C - Fiberglass
Isotropic gain	2 dBi	Weight	3.5 kg
Polarization	Vertical	Wind loading area	0.39 m ²
Radiation pattern		Wind speed resistance	230 km/h without frost
- E plane	100°	Wind load at 160 km/h	29 N
- H plane	omni at ± 0.5 dB	Temperature range	-40° to +70°C
Maximum input power	300 W cw		
Connector	Nf		

Safety : all metal parts are at equipotential and connected to ground



Dimensions in mm

Radiation Pattern
F: 300 MHz



[Return to Search by Part Number](#)

P/N	Model	Color	NNO*
99-0086	AUDE 225-380/T	NATO green	✓

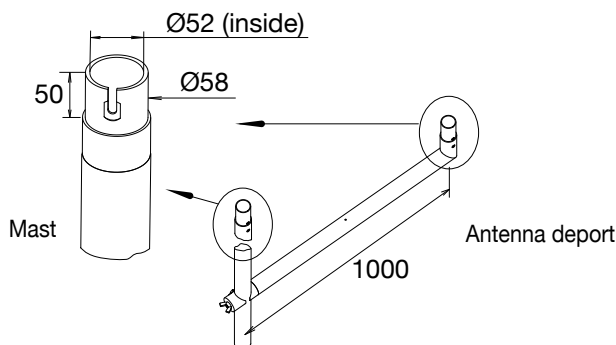
Contact us for cable assemblies request
* See NNO crosslist reference page U37

Lite V/UHF Dual Antenna System



Frequency range	110 - 150 MHz 225 - 380 MHz	Temperature range	-40° to +70°C
Deployed height	4 m	Color	NATO green
Tripod height	3.5 m	Deployment time (2 operators)	< 15 min
Max. wind speed during installation	<30 km/h-8m/s	Packing	2 bags, IP 45
Max. wind speed in operation	<116 km/h-32m/s		Bag 1 contains antennas
Max. wind speed	<136 km/h-37m/s		bag 2 contains tripod and accessories

Safety : all metal parts are at equipotential and connected to ground



Dimensions in mm

[Return to Search by Part Number](#)

P/N	Model	NNO*
99-0102	Tactical V/UHF Dual antenna system	✓

P/N	Model	NNO*
99-0101	Omni Antenna AVGP 110-150/T in bag	✓
99-0086	Omni UHF Antenna AUDE 225-380/T	✓
98-0107	VHF & UHF antenna bag	✓
175-099	Extension tube	✓
175-104	Antenna deport	✓
98-0104	Tactical tripod	✓
98-0109	Tripod counterweight	✓
98-0106	Tripod bag	✓

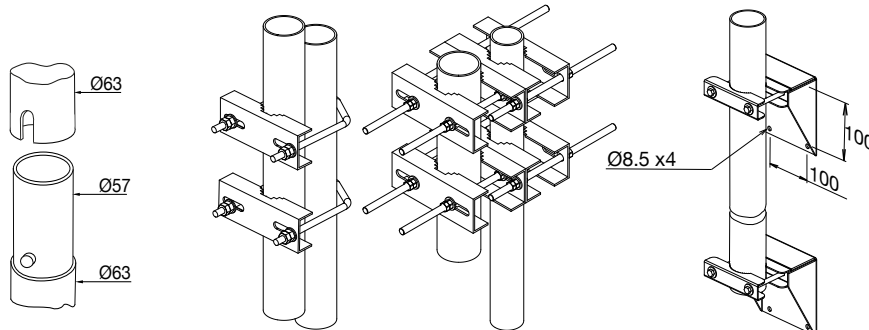
Contact us for cable assemblies request
* See NNO crosslist reference page U37

ADU 225 - 400



Frequency range	225 to 400 MHz	Height	0.65 m
Impedance	50 Ω	Diameter	0.40 m
VSWR in the band	< 1.6	Material	AGS – POM C
Isotropic gain	2.5 dBi	Weight	3.5 kg
Polarization	Vertical	Wind loading area	0.15 m ²
Radiation pattern		Wind speed resistance	230 km/h without frost
- E plane	90°	Wind load at 160 km/h	22 N
- H plane	omni at ± 0.5 dB	Temperature range	-40° to +70°C
Maximum input power	300 W cw		
Connector	Nf		

Safety : all metal parts are at equipotential and connected to ground



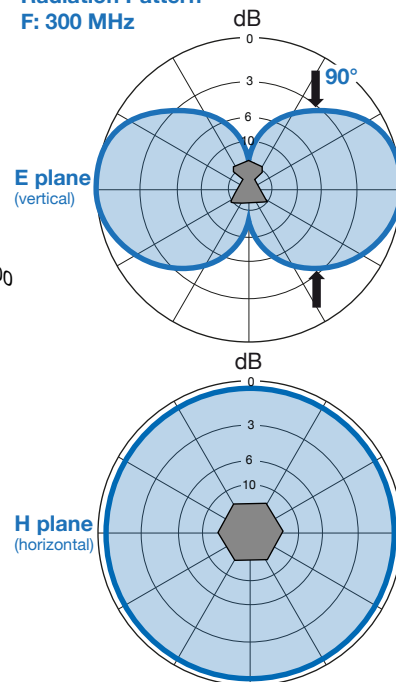
MTLV interface

98-0206

98-0207

98-0208

Radiation Pattern
F: 300 MHz



Dimensions in mm

Return to Search by Part Number

P/N	Model	Color	Fixation included	NNO*
99-0019	ADU 225-400	White	98-0206	✓
99-0027	ADU 225-400T	Nato green		-

P/N	Mounting Hardware
98-0206	2 clamps for Ø 35-70
98-0207	2 Clamps for Ø 30-114
98-0208	2 Shelters mount

Contact us for cable assemblies request
* See NNO crosslist reference page U37

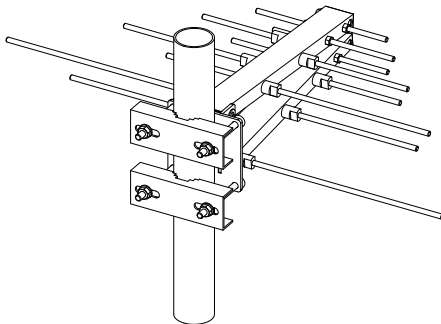


AVULP 100-500



Frequency range	100 to 500 MHz	Height	2.85 m
Impedance	50 Ω	Spread	1.65 m
VSWR in the band	< 1.7	Material	AGS - POM C
Isotropic gain	9 dBi	Weight	10 kg
Polarization	Vertical / Horizontal	Wind load area	0.19 m ²
Radiation pattern		Wind speed resistance	160 km/h with guys
- E plane	55°	Temperature range	-40° à +70°C
- H plane	80°	Color	White RAL 9010
Maximum input power	300 W cw		
Connector	Nf		

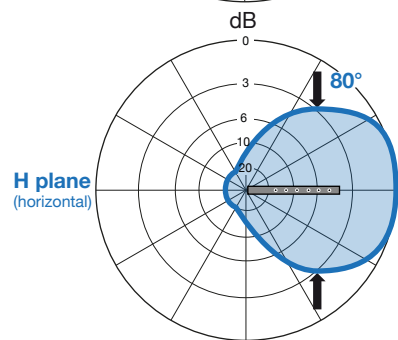
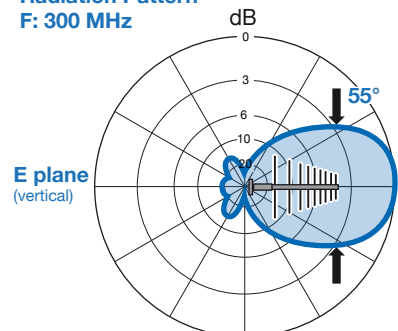
Safety : all metal parts are at equipotential and connected to ground



Can be mounted in vertical or horizontal position

Dimensions in mm

Radiation Pattern
F: 300 MHz



Return to Search by Part Number

P/N	Model	Fixation included
99-0157	AVULP 100-500	100-197

P/N	Mounting Hardware
100-197	2 clamps for Ø 30 to 100

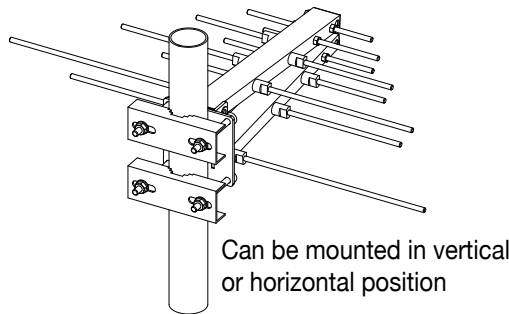
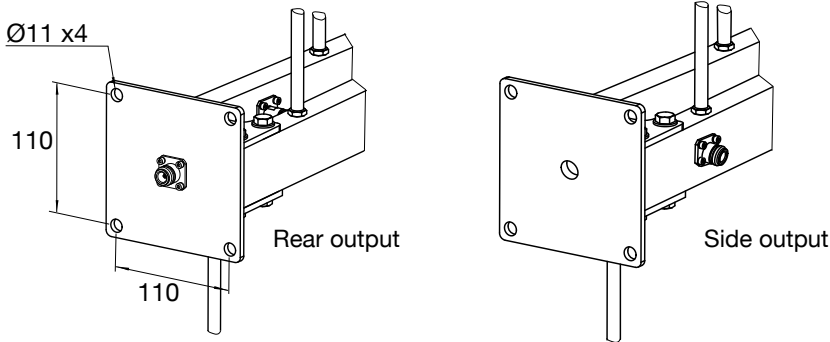
Contact us for cable assemblies request

AVLP 110 - 150



Frequency range	110 to 150 MHz	Lenght	1.20 m
Impedance	50 Ω	Spread	1.45 m
VSWR in the band	< 1.5	Materials	AGS – POM C
Isotropic gain	6.5 dBi	Weight	5 kg
Polarization	Vertical / Horizontal	Wind loading area	0.19 m ²
Radiation pattern		Wind speed resistance	200 km/h without frost
- E plane	70°	Temperature range	-40° to +70°C
- H plane	120°	Color	White RAL 9010
Maximum input power	600 W cw		
Connector	Nf		

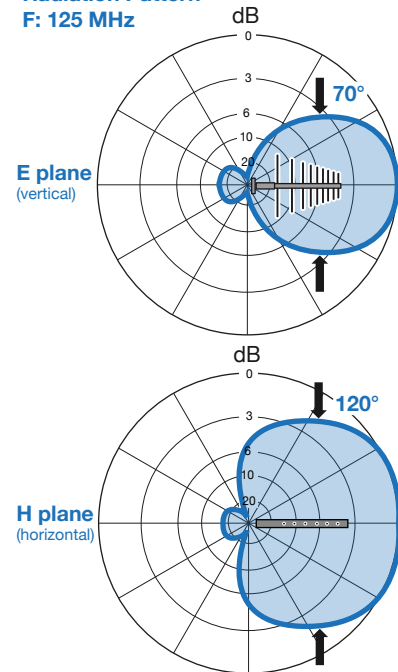
Safety : all metal parts are at equipotential and connected to ground



Dimensions in mm

Can be mounted in vertical or horizontal position

Radiation Pattern
F: 125 MHz



[Return to Search by Part Number](#)

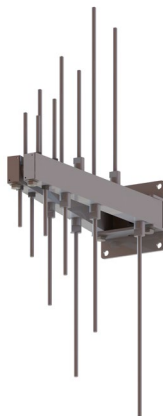
P/N	Model	Lenght (m)	Spread (m)	Output	Fixation included
99-0006	AVLP 110-150	1.20	1.45	Side	100-197
99-0014	AVLP-R 110-150	0.80	1.35	Side	100-197
99-0014B	AVLP-R 110-150	0.80	1.35	Rear	-

P/N	Mounting Hardware
100-197	2 clamps for Ø 30 to 100

Contact us for cable assemblies request



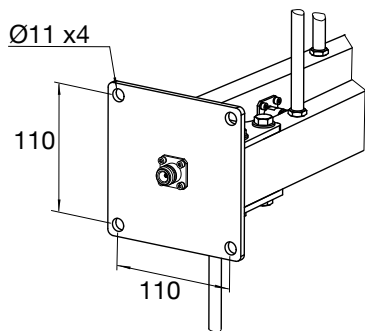
AULP 225 - 400



Air Traffic Control Antennas

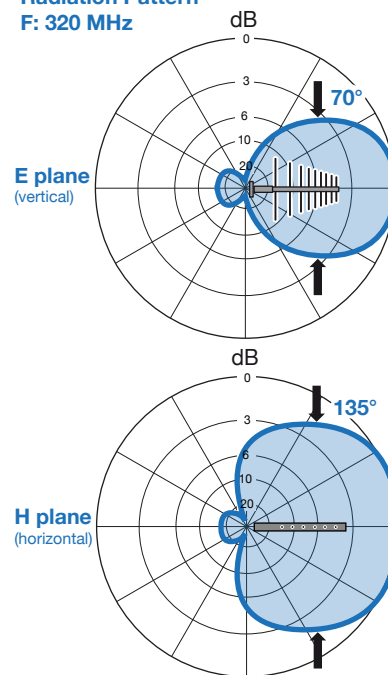
Frequency range	225 to 400 MHz	Height	0.42 m
Impedance	50 Ω	Spread	0.80 m
VSWR in the band	< 1.6	Material	AGS / POM C
Isotropic gain	6.5 dBi	Weight	3 kg
Polarization	Vertical / horizontal	Wind speed resistance	200 km/h without frost
Radiation pattern		Temperature range	-40° to +70°C
- E plane	70°	Color	White RAL 9010
- H plane	135°		
Maximum input power	300 W cw		
Connector	Nf		

Safety : all metal parts are at equipotential and connected to ground



Dimensions in mm

Radiation Pattern
F: 320 MHz



[Return to Search by Part Number](#)

P/N	Model	Lenght (m)	Spread (m)	Output
99-0175	AULP 225-400	0.42	0.8	Rear

Contact us for cable assemblies request

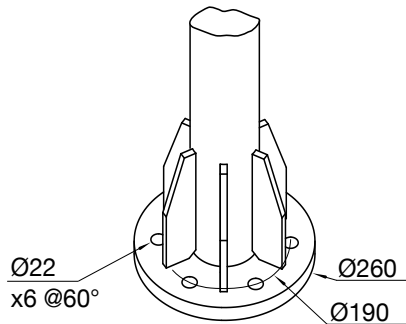


AVDLP 1



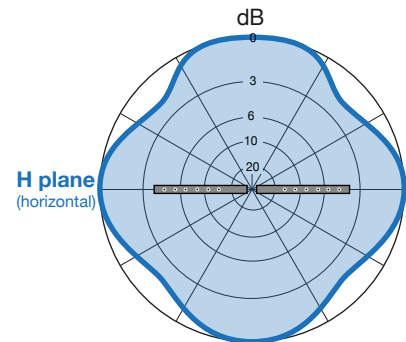
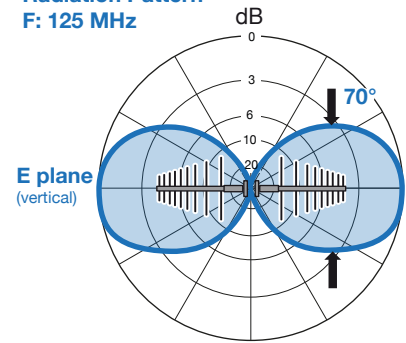
Frequency range	115 to 140 MHz	Height	3.80m
Impedance	50 Ω	Spread	1.70 m
VSWR in the band	< 1.6	Material	AGS
Isotropic gain	2.5 dBi	Weight	30 kg
Polarization	Vertical	Wind speed resistance	160 km/h with guys
Radiation pattern		Temperature range	-40° to +70°C
- E plane	70°	Color	ICAO Red / White
- H plane	360° at ± 2 dB		
Maximum input power	500 W cw		
Connector	Nf		

Safety : all metal parts are at equipotential and connected to ground



Dimensions in mm

Radiation Pattern
F: 125 MHz



[Return to Search by Part Number](#)

P/N	Model	Warning light Voltage
99-0162	AVDLP 1	24 VDC

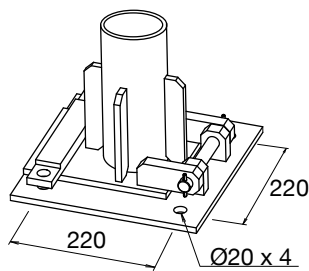
Contact us for cable assemblies request

AVDLP 2L/2H



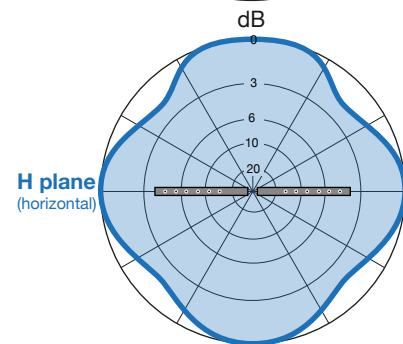
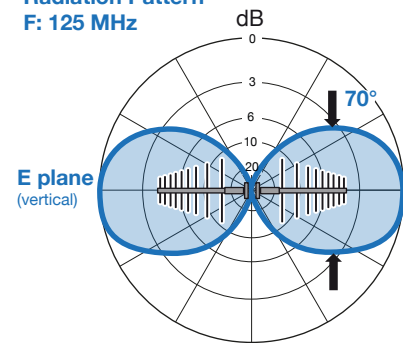
Frequency range	115 to 140 MHz	Height (2H)	7.70 m
Impedance	50 Ω	Spread	1.70 m
VSWR in the band	< 1.6	Material	AGS
Isotropic gain	2.5 dBi	Weight	60 kg
Polarization	Vertical	Wind speed resistance	160 km/h with guys
Radiation pattern		Temperature range	-40° to +70°C
- E plane	70°	Color	ICAO Red / White
- H plane	360° at ± 2 dB	Staying	2 levels of insulated guys
Maximum input power	500 W cw	Base plate	Articulated
Inter-port isolation between adjacent aerial	2L: 35 dB / 2H: 45 dB		
Connector	Nf		

Safety : all metal parts are at equipotential and connected to ground



Articulated base plate

Radiation Pattern
F: 125 MHz



Dimensions in mm

[Return to Search by Part Number](#)

P/N	Model	Number of guys	Warning light voltage
99-0031	AVDLP 2H	3	24 VDC
99-0031B	AVDLP 2H	4	24 VDC
99-0031B220	AVDLP 2H	4	110-240 VAC
99-0032	AVDLP 2L	3	24 VDC
99-0031SP220*	AVDLP 2H	4	110-240 VAC

*Dual-tilt mast, recommended for limited clearance areas

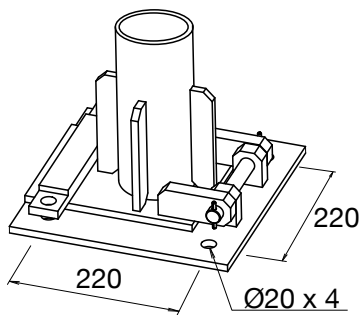
Contact us for cable assemblies request

AVDLP 3H



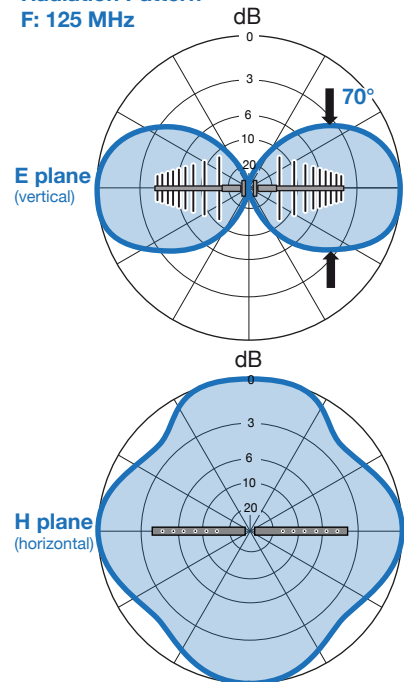
Frequency range	115 to 140 MHz	Height	11.95 m
Impedance	50 Ω	Spread	1.70 m
VSWR in the band	< 1.6	Material	AGS
Isotropic gain	2.5 dBi	Weight	80 kg
Polarization	Vertical	Wind speed resistance	160 km/h with guys
Radiation pattern		Temperature range	-40° to +70°C
- E plane	70°	Color	ICAO Red / White
- H plane	360° at ± 1 dB	Staying	2 levels of 4 insulated guys
Maximum input power	500 W cw	Base plate	Articulated
Inter-port isolation between adjacent aerial	3H: >45 dB		
Connector	Nf		

Safety : all metal parts are at equipotential and connected to ground



Articulated base plate

Radiation Pattern
F: 125 MHz



Dimensions in mm

[Return to Search by Part Number](#)

P/N	Model	Warning light Voltage
99-0013	AVDLP 3H	24 VDC

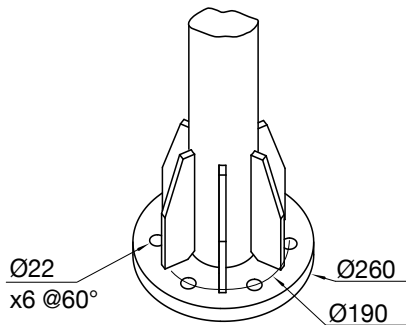
Contact us for cable assemblies request

AUDLP 1

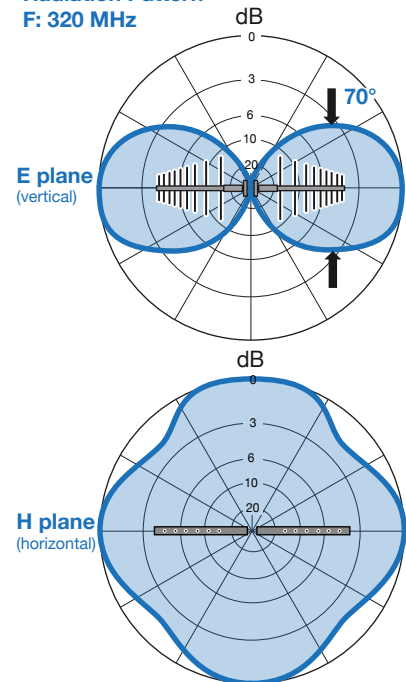


Frequency range	225 to 400 MHz	Height	4.00 m
Impedance	50 Ω	Spread	1,00 m
VSWR in the band	< 1.7	Material	AGS
Isotropic gain	2.5 dBi	Weight	35 kg
Polarization	Vertical	Wind speed resistance	160 km/h with guys
Radiation pattern		Temperature range	-40° to +70°C
- E plane	70°	Color	ICAO Red / White
- H plane	360° at ± 2 dB		
Maximum input power	300 W cw		
Connector	Nf		

Safety : all metal parts are at equipotential and connected to ground



Radiation Pattern
F: 320 MHz



Dimensions in mm

[Return to Search by Part Number](#)

P/N	Model	Warning light Voltage
99-0180	AUDLP 1	24 VDC

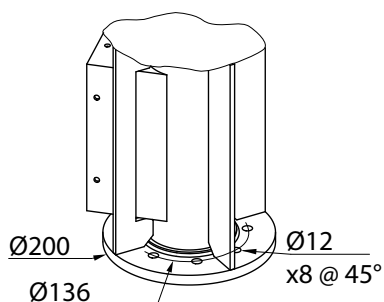
Contact us for cable assemblies request

AUDLP 2L / 2H



Frequency range	225 to 400 MHz	Height (AUDLP-2H)	3.45 m
Impedance	50 Ω	Height (AUDLP-2L)	2.45 m
VSWR in the band	< 1.7	Spread	1 m
Isotropic gain	2.5 dBi	Material	AGS
Polarization	Vertical	Weight	35 kg
Radiation pattern		Wind speed resistance	160 km/h with guys
- E plane	76°	Temperature range	-40° to +70°C
- H plane	360° at ± 2 dB	Color	ICAO Red / White
Maximum input power	500 W cw		
Inter-port isolation between adjacent aerial	2L: 30 dB / 2H : 45 dB		
Connector	Nf		

Safety : all metal parts are at equipotential and connected to ground



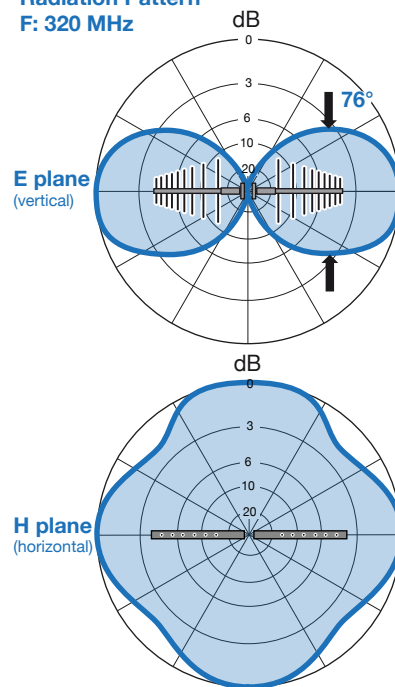
Dimensions in mm

[Return to Search by Part Number](#)

P/N	Model	Warning light Voltage
99-0033	AUDLP 2L	24 VDC
99-0034	AUDLP 2H	24 VDC

Contact us for cable assemblies request

Radiation Pattern
F: 320 MHz

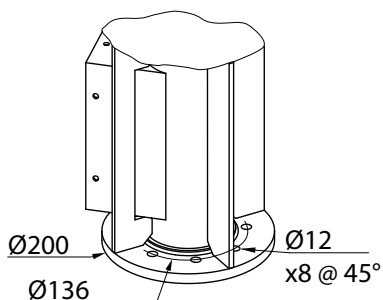


AUDLP 3L / 3H

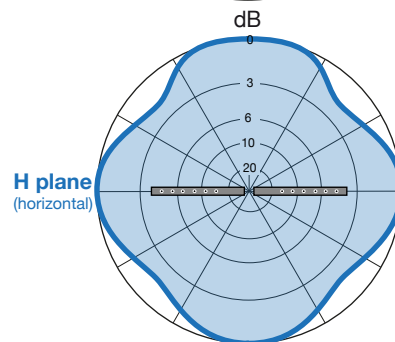
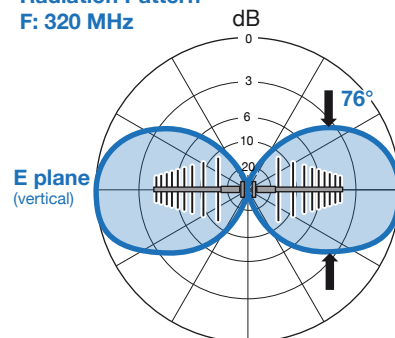


Frequency range	225 to 400 MHz	Height (AUDLP-3H)	4.60 m
Impedance	50 Ω	Height (AUDLP-3L)	2.45 m
VSWR in the band	< 1.7	Spread	1 m
Isotropic gain	2.5 dBi	Material	AGS
Polarization	Vertical	Weight	65 kg
Radiation pattern		Wind speed resistance	160 km/h with guys
- E plane	76°	Temperature range	-40° to +70°C
- H plane	360° at ± 2 dB	Color	ICAO Red / White
Maximum input power	500 W cw		
Inter-port isolation between adjacent aerial	3L: 30 dB / 3H : 45 dB		
Connector	Nf		

Safety : all metal parts are at equipotential and connected to ground



Radiation Pattern
F: 320 MHz



Dimensions in mm

[Return to Search by Part Number](#)

P/N	Model	Warning light Voltage
99-0067	AUDLP 3L	24 VDC
99-0187	AUDLP 3H	24 VDC

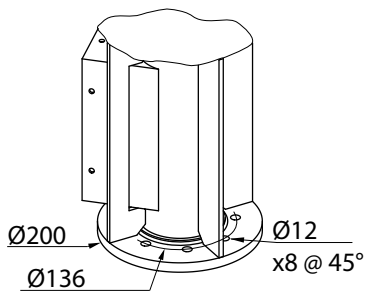
Contact us for cable assemblies request

AVUVLP 2H



Frequency range	115 to 150 MHz 225 to 400 MHz	Height	5.40 m
Impedance	50 Ω	Spread	1.6 m
VSWR in the band	< 1.8	Material	AGS
Isotropic gain	2.5 dBi	Weight	70 kg
Polarization	Vertical	Wind speed resistance	160 km/h with guys
Radiation pattern		Temperature range	-40° to +70°C
- E plane	70°	Color	ICAO Red / White
- H plane	360° at ± 2 dB	Staying	1 level of 4 insulated guys
Maximum input power	500 W VHF / 300 W UHF		
Inter-port isolation between adjacent aerial	2H : 45 dB		
Connector	Nf		

Safety : all metal parts are at equipotential and connected to ground



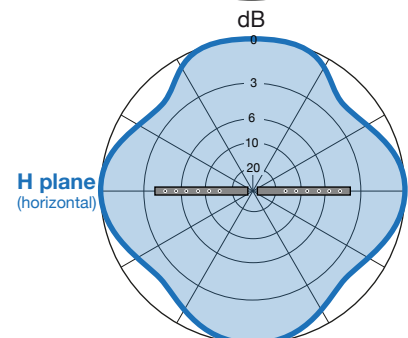
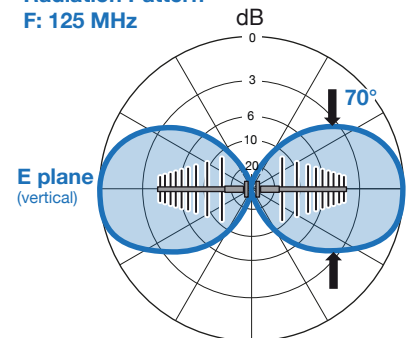
Dimensions in mm

[Return to Search by Part Number](#)

P/N	Model	Warning light Voltage
99-0172	AVUVLP 2H	24 VDC

Contact us for cable assemblies request

Radiation Pattern
F: 125 MHz

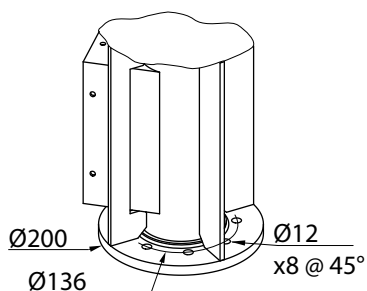


AVUDLP 2H

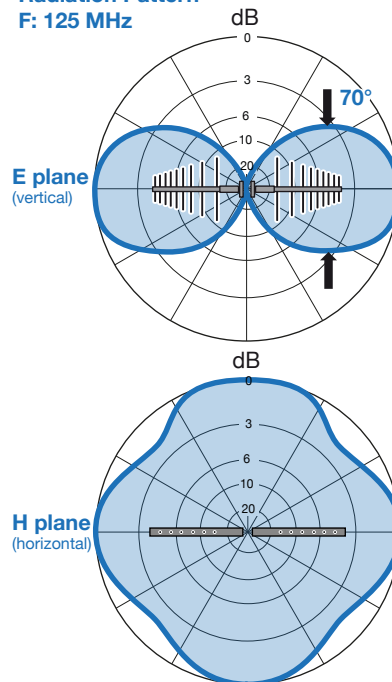


Frequency range	115 to 150 MHz 225 to 400 MHz	Height	5.40 m
Impedance	50 Ω	Spread	1.6 m
VSWR in the band	< 1.8	Material	AGS
Isotropic gain	2.5 dBi	Weight	75 kg
Polarization	Vertical	Wind speed resistance	160 km/h with guys
Radiation pattern		Temperature range	-40° to +70°C
- E plane	70°	Color	ICAO Red / White
- H plane	360° at ± 2 dB	Staying	1 level of 4 insulated guys
Maximum input power	500 W VHF / 300 W UHF		
Inter-port isolation between adjacent aerial	2H : 45 dB		
Connector	Nf		

Safety : all metal parts are at equipotential and connected to ground



Radiation Pattern F: 125 MHz



Dimensions in mm

[Return to Search by Part Number](#)

P/N	Model	Warning light Voltage
99-0188	AVUDLP 2H	24 VDC

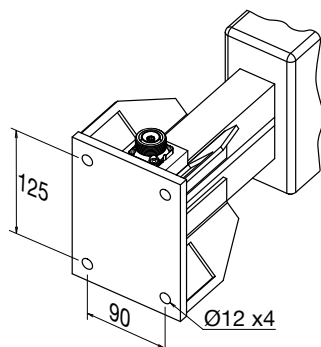
Contact us for cable assemblies request

AVDIP 115 - 145



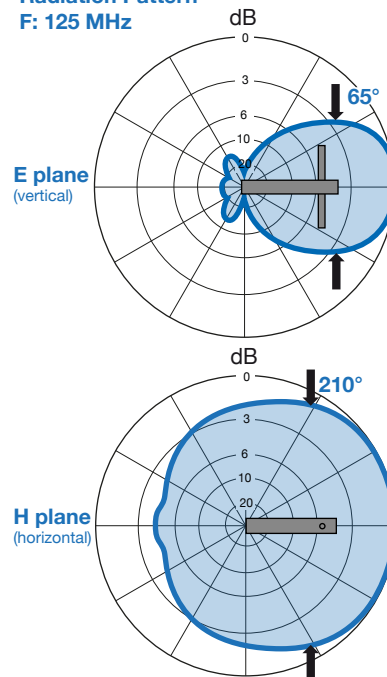
Frequency range	115 to 145 MHz	Height	1.05 m
Impedance	50 Ω	Width	0.65 m
VSWR in the band	< 1.5	Materials	AGS / Fiberglass
Isotropic gain	3.5 dBi	Weight	3.5 kg
Polarization	Vertical	Wind loading area	0.1 m ²
Radiation pattern		Wind speed resistance	220 km/h without frost
- E plane	65°	Temperature range	-40° to +70°C
- H plane	210°	Color	White RAL 9010
Maximum input power	1 kW cw		
Connector	7-16 f		

Safety : all metal parts are at equipotential and connected to ground



Dimensions in mm

Radiation Pattern
F: 125 MHz



[Return to Search by Part Number](#)

P/N	Model
99-0123	AVDIP 115-145

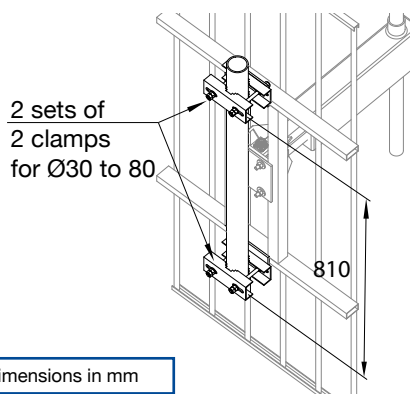
Contact us for cable assemblies request

AVPAN 115 - 145



Frequency range	115 to 145 MHz	Height	1.80 m
Impedance	50 Ω	Width	0.75 m
VSWR in the band	< 1.6	Materials	AGS
VSWR (118-136 MHz)	< 1.4	Reflector	AGS / Fiberglass
Isotropic gain	7 dBi	Weight	9 kg
Polarization	Vertical	Wind loading area	0.25 m ²
Radiation pattern		Wind speed resistance	220 km/h without frost
- E plane	65°	Temperature range	-40° to +70°C
- H plane	125°	Color	White RAL 9010
Maximum input power	1 kW cw	Fixation	Included
Connector	7-16 f		

Safety : all metal parts are at equipotential and connected to ground



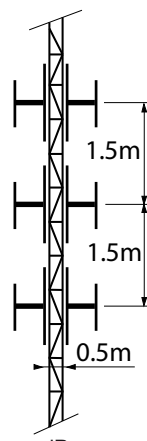
Dimensions in mm

[Return to Search by Part Number](#)

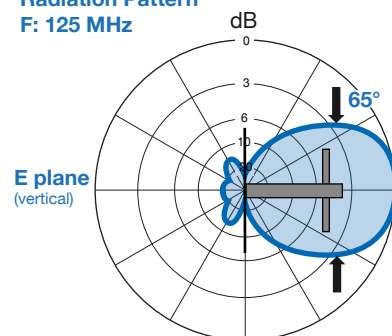
P/N	Model
99-0030	AVPAN 115-145
99-0142	3 levels (6 antennas)

Nb of level	Isotropic gain
1	4.0 dB
2	7.0 dB
3	8.5 dB
4	10.0 dB
5	12.5 dB

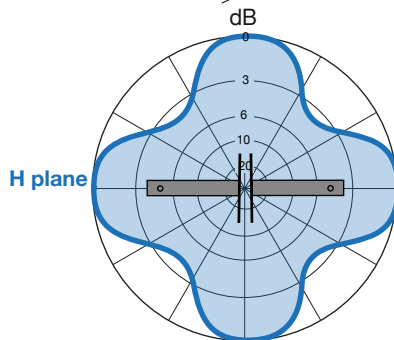
Contact us for cable assemblies request



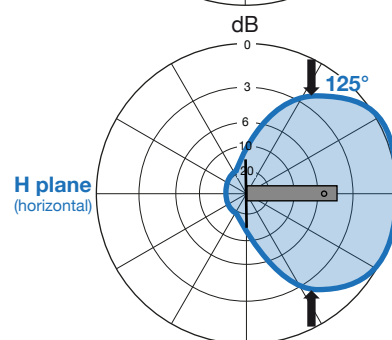
Radiation Pattern
F: 125 MHz



E plane
(vertical)



H plane



H plane
(horizontal)

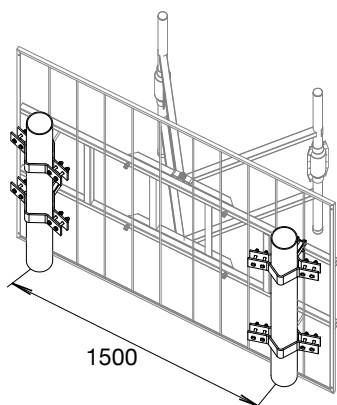


AVPANDD 115-145 BIIA



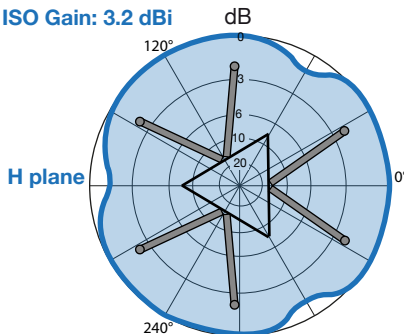
Frequency range	115 to 145 MHz	Height	2 m
Impedance	50 Ω	Width	2 m
VSWR in the band	< 1.5	Materials	Galvanized steel / Fiberglass
VSWR (118-136 MHz)	< 1.3	Weight	38 kg
Isotropic gain	8.5 dBi	Wind loading area	1.1 m ²
Polarization	Vertical	Wind speed resistance	220 km/h without frost
Radiation pattern		Temperature range	-40° to +80°C
- E plane	65°		
- H plane	70°		
Maximum input power	800 W cw		
Connector	7-16f		

Safety : all metal parts are at equipotential and connected to ground

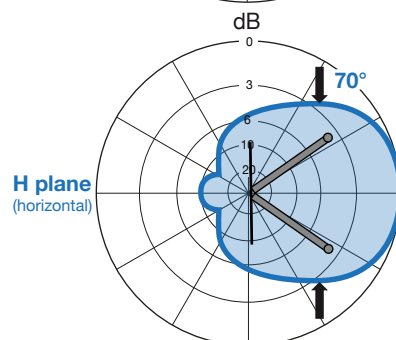
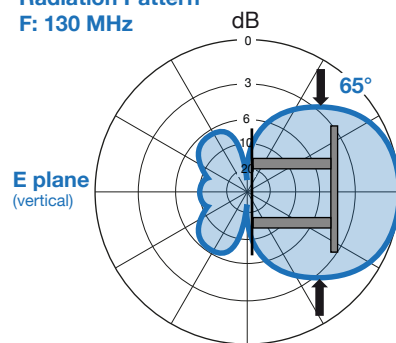


Dimensions in mm

3 AVPAN BIIA at 120°
ISO Gain: 3.2 dBi



Radiation Pattern
F: 130 MHz

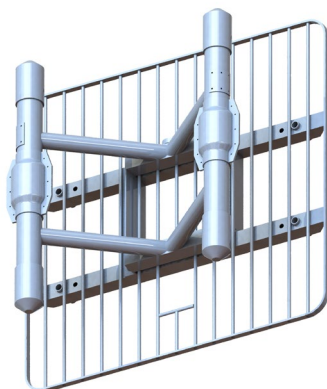


Return to Search by Part Number

P/N	Model	NNO*
99-0055	AVPAN DD 115-145	✓
99-0056	1 level of 3 antennas	-

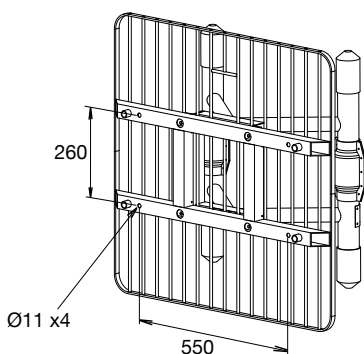
Contact us for cable assemblies request
* See NNO crosslist reference page U37

AUPANDD 225-400

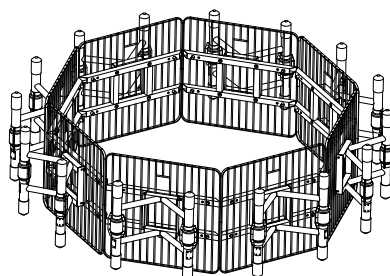


Frequency range	225 to 400 MHz	Height	0.8 m
Impedance	50 Ω	Width	0.8 m
VSWR in the band	< 1.5	Materials	Galvanized steel/Fiberglass
Gain	8.5 dBi	Weight	16 kg
Polarization	Vertical	Wind loading area	0.42 m ²
Radiation pattern		Wind speed resistance	200 km/h without frost
- E plane	65°	Temperature range	-40° to +80°C
- H plane	70°		
Maximum input power	300 W cw		
Connector	Nf		

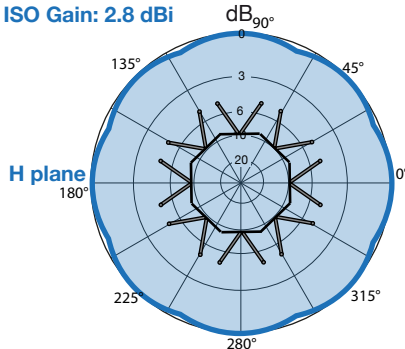
Safety : all metal parts are at equipotential and connected to ground



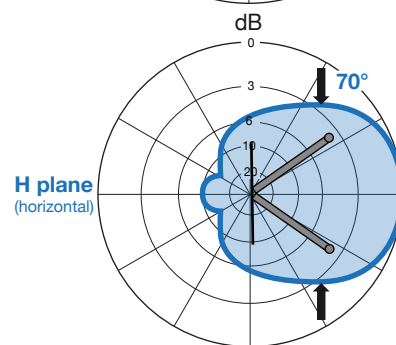
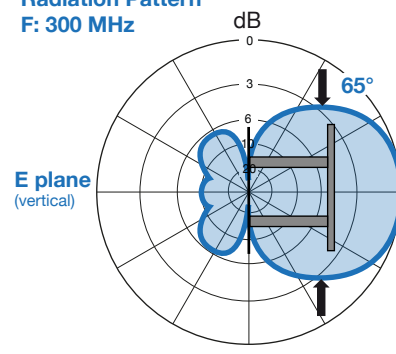
Dimensions in mm



8 AUPANDD
ISO Gain: 2.8 dBi



Radiation Pattern
F: 300 MHz



Return to Search by Part Number

P/N	Model	NNO*
99-0136	AUPAN DD 225-400	✓
99-0221	1 level of 4 antennas	-
99-0222	1 level of 8 antennas	-

Contact us for cable assemblies request
* See NNO crosslist reference page U37



Power splitter BJ Aero



Frequency range

- BJ Aero BIIA 110 to 150 MHz
- BJ Aero BIIIA 225 to 400 MHz

Impedance

50 Ω

VSWR in the band

< 1.15

Insertion loss

< 0.25 dB

Maximum input power

1 kW cw

Connector

7-16f

Weight

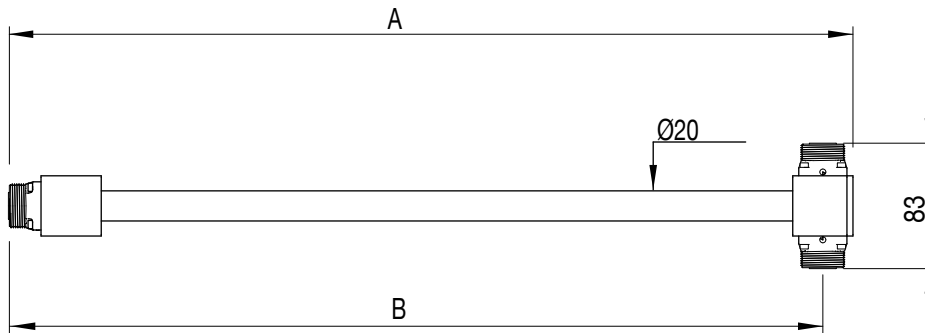
- BJ Aero BIIA < 2.5 kg
- BJ Aero BIIIA < 2 kg

Temperature range

-40° to +70°C

Color

White RAL 9010



Dimensions in mm

[Return to Search by Part Number](#)

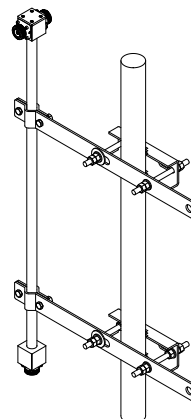
P/N	Frequency band (MHz)	Number of ways	Split loss (dB)	A	B	NNO*
29-0081	110-150	2	3	857	837	-
29-0079	110-150	3	4.8	857	837	✓
29-0134	110-150	4	6	857	837	-
29-0107	225-400	2	3	720	700	✓
29-0108	225-400	4	6	720	700	✓

P/N

Mounting Hardware

98-0114

Ø 30 to 114mm



98-0114

Contact us for cable assemblies request

* See NNO crosslist reference page U37





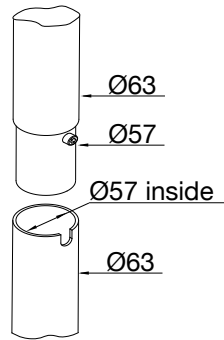
MTT Mast 6.5M / 5M



Air Traffic Control Antennas



Deployed height	6.5 m / 5 m	Deployment time (2 operators)	< 10 min
Lifting method	Tipping	Temperature range	-40° to +70°C
Number of tubes	3 / 2	Total weight packed	20 kg / 15 kg
Max. load on the top	20 kg	Color *	Grey RAL 7038
Max. area on the top	0.3 m ²		
Max. wind speed during installation	< 20 km/h		
Max. wind speed in operation	< 80 km/h		



MTT interface

Dimensions in mm

[Return to Search by Part Number](#)

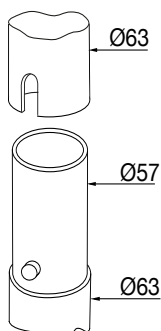
P/N	Model
98-0001	MTT 5M
98-0002	MTT 6.5M

*Other color on request

Tactical MTLV Mast 10M / 5M



Deployed height	10 m / 5 m	Deployment time (2 operators)	< 10 min
Lifting method	Strap	Temperature range	-40° to +70°C
Number of tubes	8 / 4 (1.2m)	Total weight packed	45 kg / 35 kg
Max. load on the top	40 kg	Color *	NATO green
Max. area on the top	0.5 m ²	Packing	Bags IP 45
Guying radius on the ground	6 m		
Nb of guys per level	3 @ 120°		
Nb of levels	2 @ 6 & 10m / 1 @ 5m		
Max. wind speed during installation	<30 km/h-8m/s		
Max. wind speed in operation	<116 km/h-32m/s		
Max. wind speed	<136 km/h-37m/s		



MTLV interface

Dimensions in mm

Return to Search by Part Number

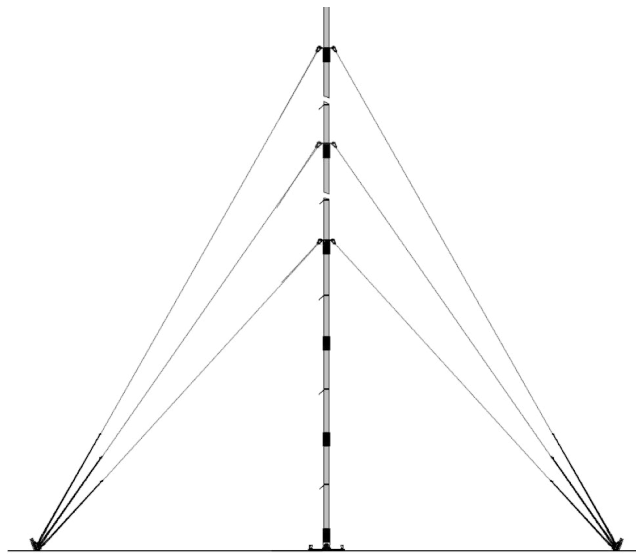
P/N	Model	NNO*
98-0005	MTLV 10M	✓
98-0006	MTLV 5M	✓

*Other color on request

* See NNO crosslist reference page U37

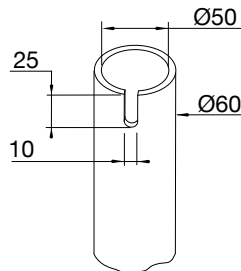


Lite Mast 12M



Air Traffic Control Antennas

Deployed height	12 m	Deployment time (2 operators)	< 10 min
Max. load on the top	10 kg	Temperature range	-40° to +70°C
Max. area on the top	0.5 m ²	Total weight packed	40 kg
Lifting method	Tilt	Packing	2 bags
Nb of tubes	8 (1.4m) + 1 (1m)	Color	NATO green
Nb of guys per level	4 @ 90°	Articulated base plate included	
Nb of levels	3 @ 5, 9 & 12 m		
Guying radius on the ground	6 m		
Max. wind speed during installation	<30 km/h-8m/s		
Max. wind speed	<116 km/h-32m/s		



Lite mast interface

Dimensions in mm



[Return to Search by Part Number](#)

P/N	Model	NNO*
98-0117	Lite Mast 12M	✓



*Other color on request
* See NNO crosslist reference page U37

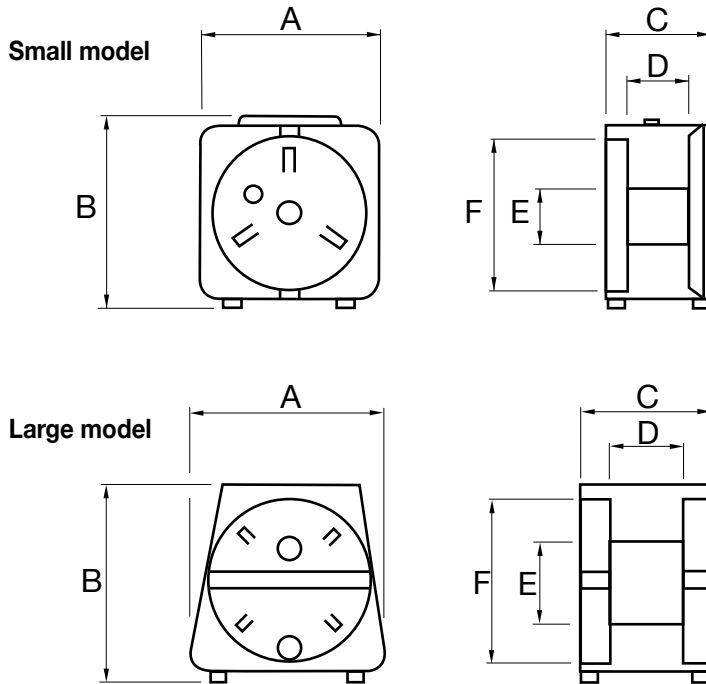
Empty cable drum



Cable drum capacity depending cable diameter:

Small model	40 m with Ø13 mm
	60 m with Ø10.8 mm
Large model	60 m with Ø13 mm
	90 m with Ø10.8 mm

Nominal capacity in metres (equal to 75% of the theoretical maximum).
 Check the cable minimum bend radius is suitable. Refer to Drum Core E
 Mini bend radius for 90 mm drum core: 45 mm
 Mini bend radius for 230 mm drum core: 115 mm



Dimensions in mm

[Return to Search by Part Number](#)

P/N	Model	Color*	Depth A	Height B	Width C	Drum width D	Drum core E	Drum dia F	Weight Kg	NNO*
98-0116	Small	NATO Green	360	400	230	125	90	320	6.25	✓
98-0137	Large	NATO Green	520	540	350	150	230	450	9.75	✓
98-0138	Large	Desert Sand	520	540	350	150	230	450	9.75	-

*Other color on request

* See NNO crosslist reference page U37

NNO cross list reference

P/N	Model	NNO	Page Number
175-099	Extension tripod	5985-14-582-3935	U15
175-104	Antenna deport	5985-14-582-3952	U15
29-0079	Power splitter BJ Aero 110-150, 3 ways	5985-14-591-9333	U32
29-0107	Power splitter BJ Aero 225-400, 2 ways	5985-14-591-9323	U32
29-0108	Power splitter BJ Aero 225-400, 4 ways	5985-14-591-9314	U32
98-0005	Tactical mast MTLV 10M	5985-14-564-7445	U9, U10, U34
98-0006	Tactical mast MTLV 5M	5985-14-590-8069	U34
98-0046	30m cable drum with Nm connector	5985-14-590-8529	U10
98-0104	Tactical tripod	5985-14-582-3932	U15
98-0106	Tripod bag	5985-14-5823954	U15
98-0107	VHF @ UHF antenna bag	5985-14-582-3957	U15
98-0109	Tripod counterweight	5985-14-582-4187	U15
98-0115	Bag for ATVU antenna	5985-14-603-3262	U12, U13
98-0116	Empty cable drum	8130-14-591-0999	U36
98-0117	Lite mast 12m	5985-14-603-3266	U13, U35
98-0137	Empty cable drum	8130-14-603-3270	U13, U36
99-0009	Tactical V/UHF antenna system	5985-14-564-7443	U10
99-0010	ADVU 110-500	5985-14-590-8536	U8
99-0012	ADVU 110-500-T in bag	5985-14-564-7448	U8,U9,U10
99-0019	ADU 225-400	5985-14-425-1613	U16
99-0048	ADVU-T 110-500	5985-14-587-5443	U8
99-0055	AVPAN DD 115-145	5985-14-591-0994	U30
99-0070	AVGP 110-150	5985-14-383-2844	U3
99-0086	AUDE 225-380/T	5985-14-582-3923	U14
99-0101	AVGP 110-150/T	5985-14-582-3906	U3
99-0102	Tactical V/UHF Dual antenna system	5985-14-582-3896	U15
99-0136	AUPAN DD 225-400	5985-14-591-0995	U31
99-0140	ATVU 110-400	5985-14-509-2324	U12, U13
99-0141	AVGP 100-180 IIB	5985-14-470-3980	U6
99-0181	A3VU 110-400	5985-14-513-3125	U11
99-0186	Lite V/UHF antenna System	5985-14-603-3257	U13



Search by Part Number



Part number	Page
29-0079	U32
29-0081	U32
29-0107	U32
29-0108	U32
29-0134	U32
98-0001	U33
98-0002	U33
98-0005	U34
98-0006	U34
98-0115	U12
98-0116	U36
98-0117	U35
98-0137	U36
98-0138	U36
99-0004	U3
99-0005	U3
99-0006	U18
99-0009	U10
99-0010	U8
99-0012	U8
99-0013	U22
99-0014	U18
99-0014B	U18
99-0019	U16
99-0021	U8
99-0027	U16
99-0030	U29
99-0031	U21
99-0031B	U21
99-0031B220	U21
99-0031SP220	U21
99-0032	U21
99-0033	U24
99-0034	U24
99-0048	U8
99-0055	U30
99-0056	U30
99-0067	U25
99-0070	U3
99-0084	U8

Part number	Page
99-0086	U14
99-0101	U3
99-0102	U15
99-0106	U12
99-0117	U5
99-0117B	U5
99-0123	U28
99-0135	U4
99-0136	U31
99-0140	U12
99-0141	U6
99-0142	U29
99-0155	U5
99-0157	U17
99-0162	U20
99-0172	U26
99-0175	U19
99-0180	U23
99-0181	U11
99-0183	U9
99-0184	U7
99-0185	U7
99-0186	U13
99-0187	U25
99-0188	U27
99-0221	U31
99-0222	U31



Notes



