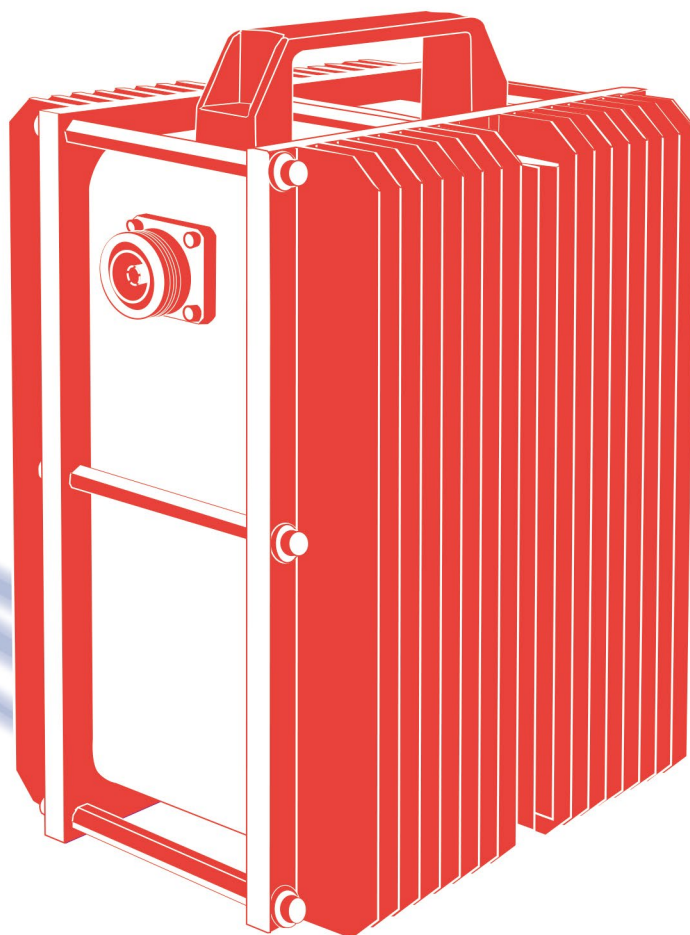


COAXIAL LOADS



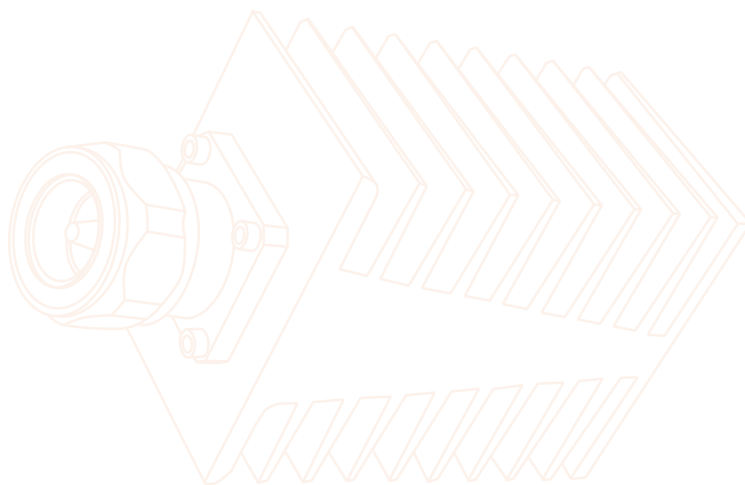
=> [Search by Part Number](#)



For RF & Microwave Equipments Termination

- ⇒ Robust Microstrip Construction
- ⇒ Short Delivery Service
- ⇒ 100% RF Controlled
- ⇒ «5G Ready» 4.3-10 Products for Mobile Phones Networks
- ⇒ Low PIM Products
- ⇒ 6 GHz Microwave Products
- ⇒ 3 kW for Broadcast Applications

1 W 6 GHz	3	100 - 150 W 4 GHz	19
6 W 4 GHz	4	200 W 2.7 GHz Low PIM	20
10 W 5 GHz	5	250 W 1 GHz	21
12 W 4 GHz	6	250 W 6 GHz	22
25 W 4 GHz	7	300 W 1.4 GHz	23
25 W 6 GHz	8	250 - 350 W 6 GHz For integration	24
30 W 4 GHz	9	400 W 2.5 GHz	25
50 W 3.8 GHz Low PIM	10	500 W 6 GHz	26
50 W 4 GHz	11	600 W 1.4 GHz	27
60 W 4 GHz	12	600 W 2.5 GHz	28
60 W 6 GHz	13	1 kW 1 GHz	29
100 W 3 GHz Low PIM	14	1.5 kW 1 GHz	30
100 W 3 GHz Low PIM	15	2 kW 1 GHz	31
100 W 4 GHz	16	3 kW 1 GHz For integration	32
100 W 6 GHz	17	Search by Part Number	33
100 - 150 W 3 GHz	18	Notes	34





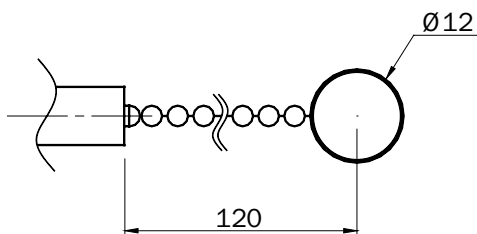
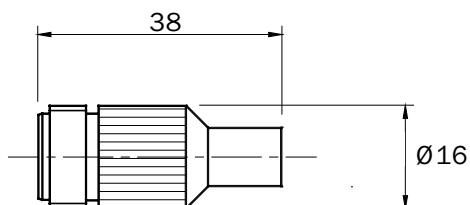
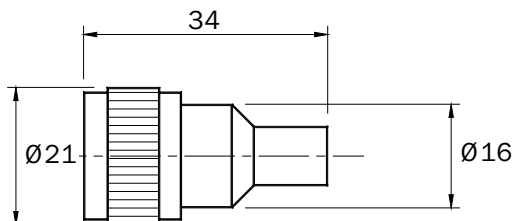
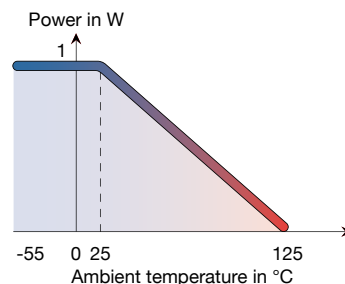
1 W 6 GHz



Standards
NF C 96-315
MIL-DTL-39030



Impedance	50 Ω ± 5%
Frequency	DC – 6 GHz
Max VSWR	≤ 1.20 at 4 GHz, ≤ 1.30 at 6 GHz
Temperature range	-55 to +125°C
Average power @ 25°C	1 W
Weight	45 g



Dimensions in mm

Return to Search by Part Number

P/N	Connector
17-0046	N m
17-0296*	N m
17-0177	N f
17-0302*	N f

* model with chain



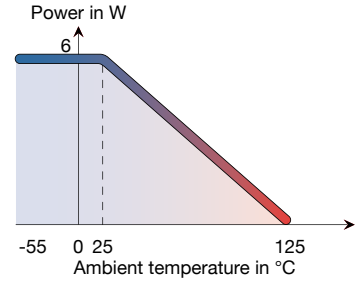
6 W 4 GHz



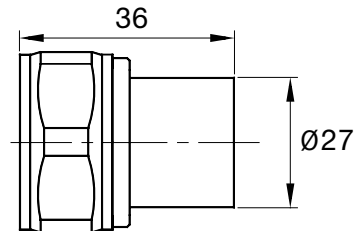
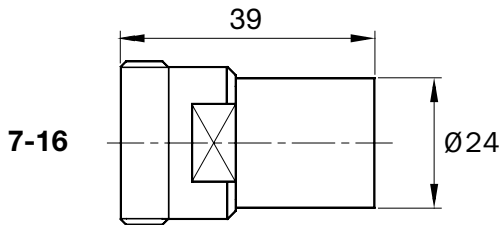
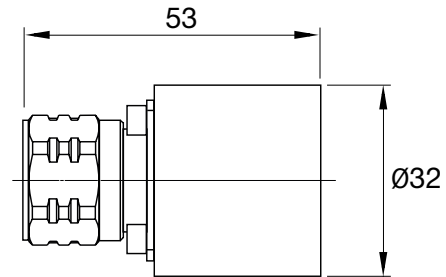
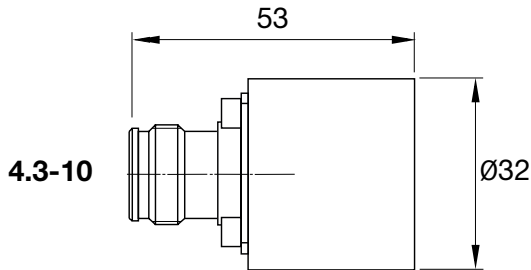
Standards
NF C 96-315
MIL-DTL-39030



Impedance	50 Ω ± 5%
Frequency	DC – 4 GHz
Max VSWR	≤ 1.10 at 2.7 GHz, ≤ 1.20 at 4 GHz
Temperature range	-55 to +125°C
Average power @ 25°C	6 W
Weight	130 g (4.3-10) / 115 g (7-16)



Coaxial Loads



Dimensions in mm

Return to Search by Part Number

P/N	Connector
17-0828	4.3-10 m
17-0827	4.3-10 f
17-0178	7-16 m
17-0168	7-16 f

	Option
IP Level	IP 68



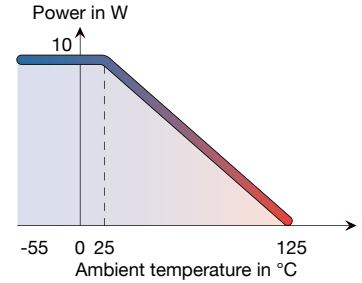
10 W 5 GHz



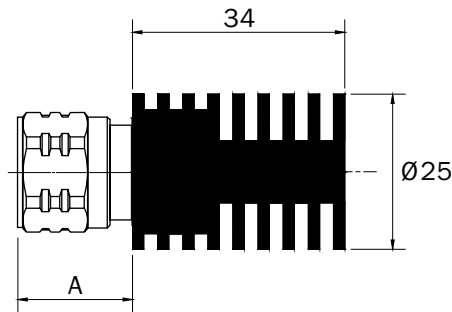
Standards
NF C 96-315
MIL-DTL-39030



Impedance	50 Ω ± 5%
Frequency	DC – 5 GHz
Max VSWR	≤ 1.10 at 2 GHz, ≤ 1.20 at 5 GHz
Temperature range	-55 to +125°C
Average power @ 25°C	10 W
Peak power	1 kW
Weight	130 g



Coaxial Loads



Dimensions in mm



Return to Search by Part Number

P/N	Connector	A
17-0193	N m	18

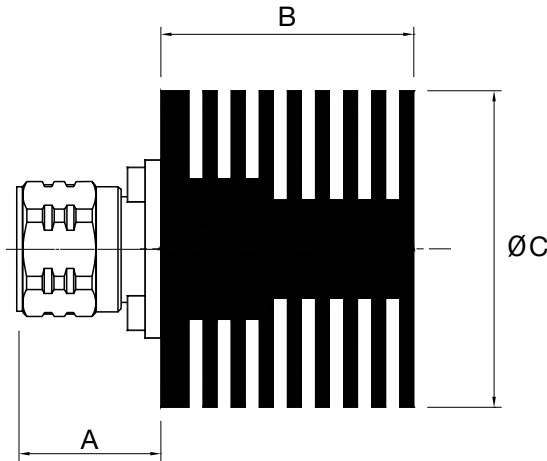
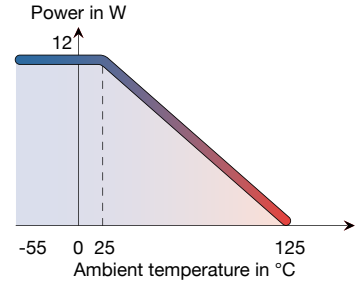
12 W 4 GHz



Standards
NF C 96-315
MIL-DTL-39030



Impedance	50 Ω ± 5%
Frequency	DC – 4 GHz
Max VSWR	≤ 1.10 at 2 GHz, ≤ 1.20 at 4 GHz
Temperature range	-55 to +125°C
Average power @ 25°C	12 W
Peak power	1 kW
Weight	145 g (4.3-10) / (90 g (7-16))



Dimensions in mm

Return to Search by Part Number

P/N	Connector*	A	B	C
17-0835	4.3-10 m	22	36	45
17-0840	4.3-10 f	22	36	45
17-0225	7-16 m	31	20	42
17-0610	SMA m	31	20	45
17-3363	BNC m	22	36	45
17-3364	BNC f	18	36	45
17-3361	N m	21	36	45
17-3113	N f	19	36	45

IP Level	Option
	IP 68

* Others connectors on request



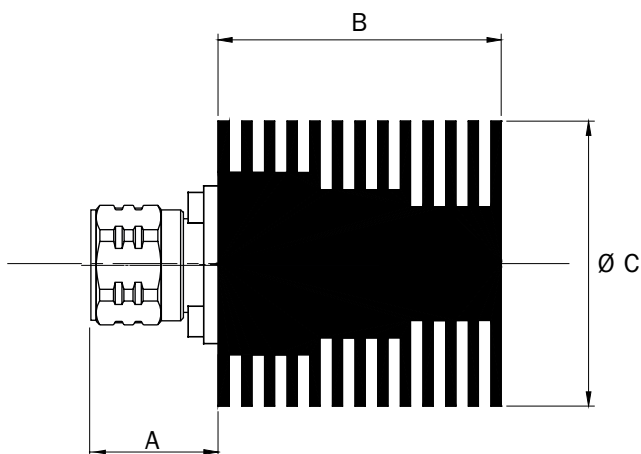
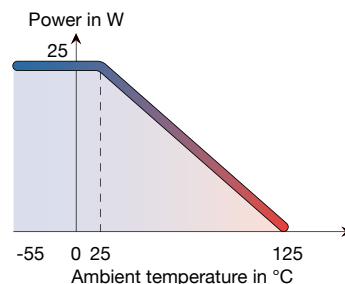
25 W 4 GHz



Standards
NF C 96-315
MIL-DTL-39030



Impedance	50 Ω ± 5%
Frequency	DC – 4 GHz
Max VSWR	≤ 1.10 at 2 GHz, ≤ 1.20 at 4 GHz
Temperature range	-55 to +125°C
Average power @ 25°C	25 W
Peak power	5 kW
Weight	250 g



Coaxial Loads



Dimensions in mm

Return to Search by Part Number

P/N	Connector*	A	B	C
17-0876	4.3-10 m	22	60	35
17-0877	4.3-10 f	22	60	35
17-0191	7-16 m	31	50	50
17-0256	7-16 f	22	50	50
17-3182	N m	35	60	35

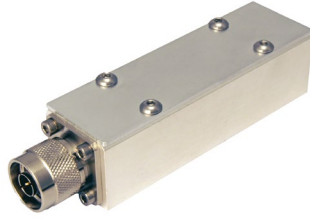
IP Level	Option
	IP 68

* Others connectors on request

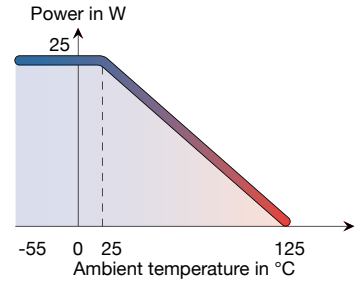
25 W 6 GHz



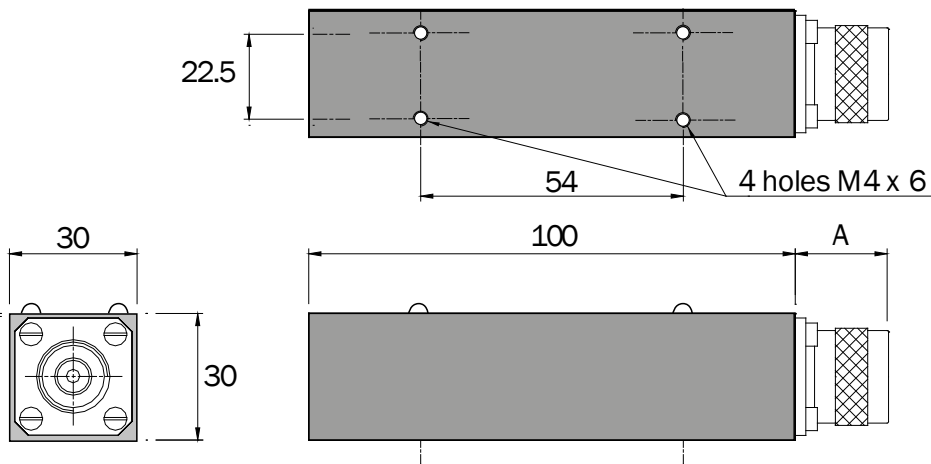
Standards
NF C 96-315
MIL-DTL-39030



Impedance 50 Ω \pm 5%
Frequency DC – 6 GHz
Max VSWR \leq 1.20 at 6 GHz
Temperature range -55 to +125°C
Average power @ 25°C 25 W
Weight 440 g



Coaxial Loads



Dimensions in mm

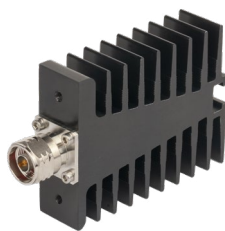
Return to Search by Part Number

P/N	Connector*	A
17-0453	N f	19
17-0454	N m	21

* Available with 7-16 connector



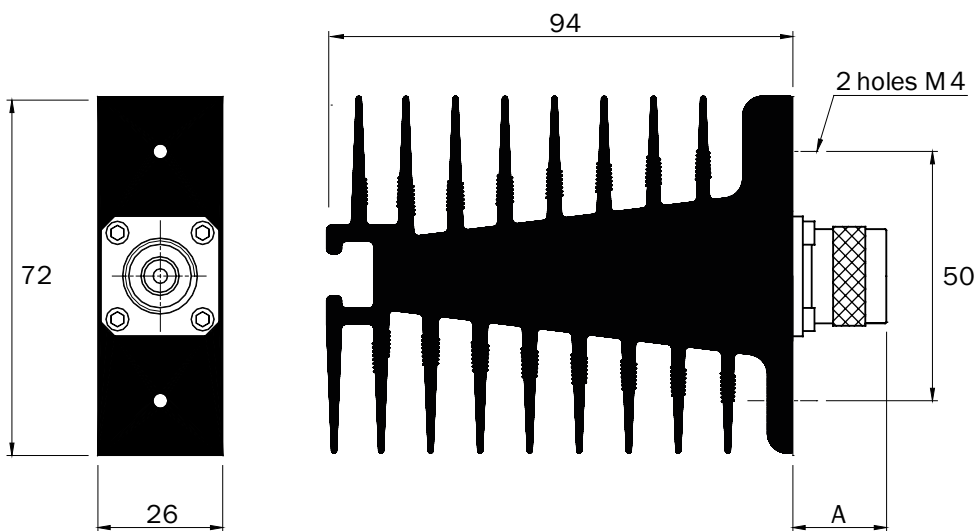
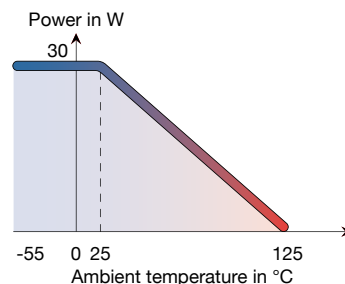
30 W 4 GHz



Standards
NF C 96-315
MIL-DTL-39030



Impedance	50 Ω ± 5%
Frequency	DC – 4 GHz
Max VSWR	≤ 1.10 at 2 GHz, ≤ 1.20 at 4 GHz
Temperature range	-55 to +125°C
Average power @ 25°C	30 W
Peak power	5 kW
Weight	290 g



Dimensions in mm

Coaxial Loads



Return to Search by Part Number

P/N	Connector	A
17-3358	N m	21
17-3114	N f	19
17-0217	BNC m	22
17-0260	BNC f	18

* Others connectors on request

50 W 3.8 GHz Low PIM

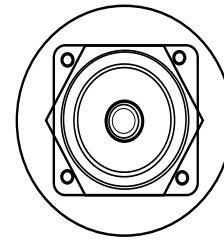
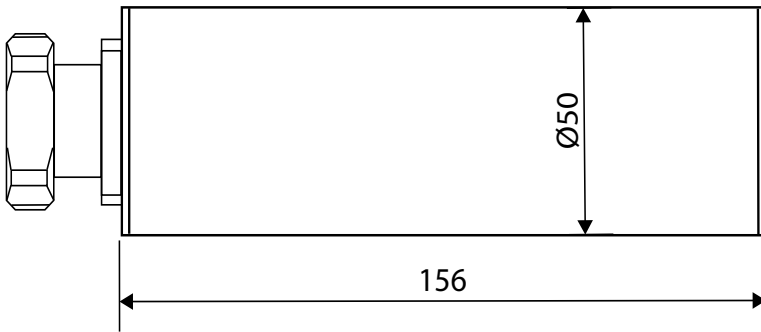


Standards
NF C 96-315
MIL-DTL-39030



Coaxial Loads

Impedance	50 Ω
Frequency	698 - 3800 MHz
Max VSWR	≤ 1.25
Intermodulation IM3	< -160 dBc for 2 carriers at + 43 dBm
Temperature range	-30 to +65°C
Average power @ 25°C	50 W
Protection level	IP 65
Weight	0.9 Kg



Dimensions in mm

Return to Search by Part Number

P/N	Connector
17-0633 Z	N m
17-0636 Z	N f
17-0855 Z	4.3-10 m
17-0856 Z	4.3-10 f
17-0771 Z	7-16 m
17-0770 Z	7-16 f



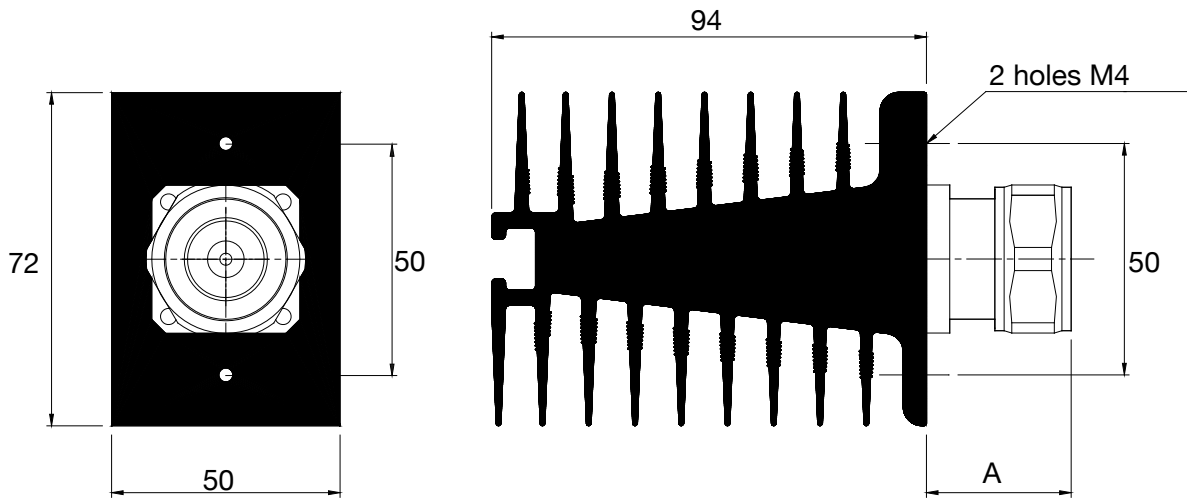
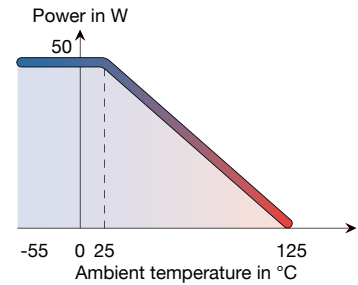
50 W 4 GHz



Standards
NF C 96-315
MIL-DTL-39030



Impedance	50 Ω ± 5%
Frequency	DC – 4 GHz
Max VSWR	≤ 1.10 at 2 GHz, ≤ 1.20 at 4 GHz
Temperature range	-55 to +125°C
Average power @ 25°C	50 W
Peak power	5 kW
Weight	540 g



Coaxial Loads



Dimensions in mm

[Return to Search by Part Number](#)

P/N	Connector*	A
17-0826	4.3-10 m	22
17-0829	4.3-10 f	22
17-0167	7-16 m	31
17-0133	7-16 f	22
17-0728	SMA f	10
17-0234	BNC m	22
17-0257	BNC f	18
17-3359	N m	21
17-3255	N f	19
17-0579	EIA 7/8"	45

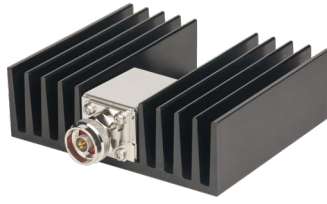
	Option
IP Level	IP 68

* Others connectors on request

60 W 4 GHz

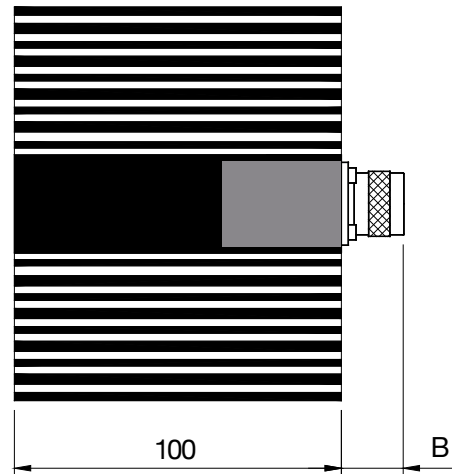
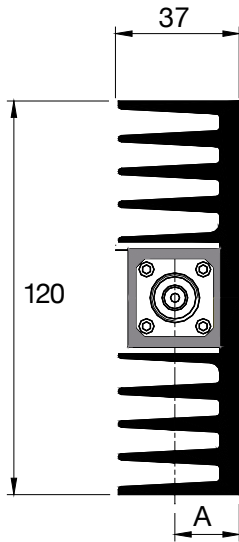
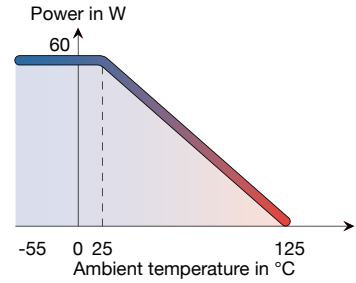


Standards
NF C 96-315
MIL-DTL-39030



Coaxial Loads

Impedance	50 Ω ± 5%
Frequency	DC – 4 GHz
Max VSWR	≤ 1.10 at 2.2 GHz, ≤ 1.25 at 4 GHz
Temperature range	-55 to +125°C
Average power @ 25°C	60 W
Peak power	10 kW
Weight	600 g



Dimensions in mm

[Return to Search by Part Number](#)

P/N	Connector*	A	B
17-0870	4.3-10 m	21	22
17-0875	4.3-10 f	21	22
17-0713	N m	18	21
17-0713E	N m	13	21
17-0879	N f	18	18
17-0879E	N f	13	18

* Others connectors on request



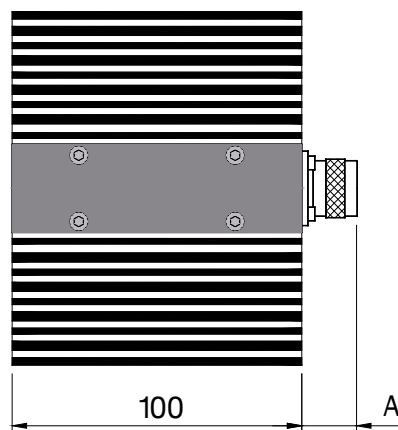
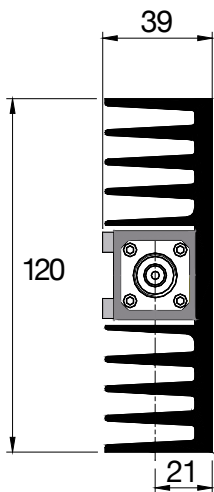
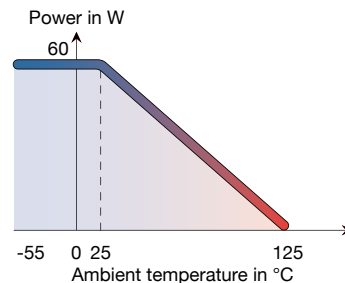
60 W 6 GHz



Standards
NF C 96-315
MIL-DTL-39030



Impedance	50 Ω ± 5%
Frequency	DC – 6 GHz
Max VSWR	≤ 1.20 at 6 GHz
Temperature range	-55 to +125°C
Average power @ 25°C	60 W
Weight	660 g



Dimensions in mm

Coaxial Loads



Return to Search by Part Number

P/N	Connector*	A
17-0451	N f	19
17-0452	N m	21

* Available with 7-16 connector

100 W 3 GHz Low PIM

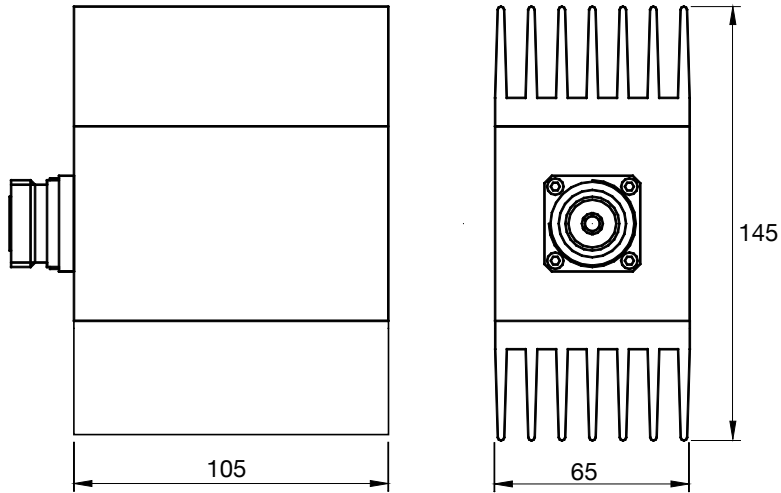


Standards
NF C 96-315
MIL-DTL-39030



Coaxial Loads

Impedance	50 Ω
Frequency	698 - 3000 MHz
Max VSWR	≤ 1.20
Intermodulation IM3	< -165 dBc for 2 carriers at +43 dBm
Temperature range	-40 to +70°C
Average power @ 25°C	100 W
Protection level	IP 67
Weight	2 Kg



Dimensions in mm

Return to Search by Part Number

P/N	Connector
17-0858	4.3-10 m
17-0859	4.3-10 f
17-0857	7-16 m
17-0664	7-16 f



100 W 3 GHz Low PIM



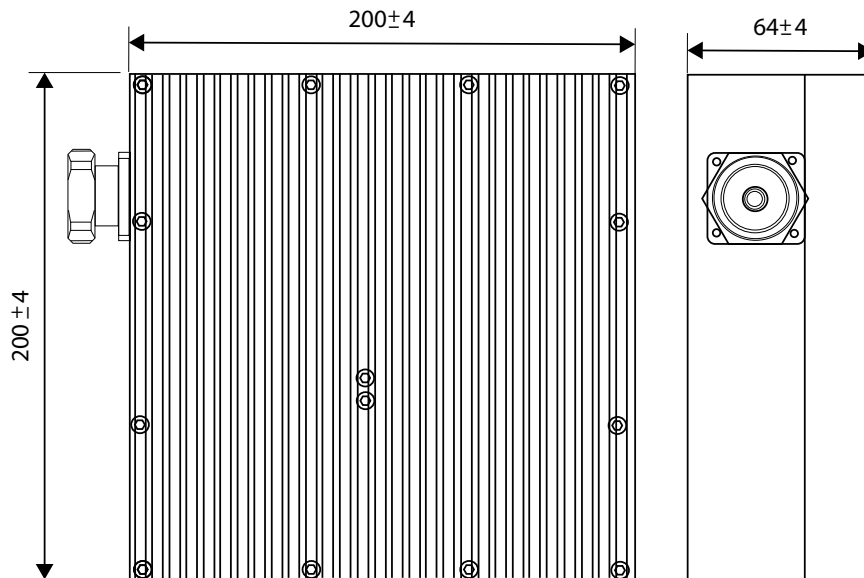
Standards
NF C 96-315
MIL-DTL-39030



Coaxial Loads



Impedance	50 Ω
Frequency	698 - 2700 MHz
Max VSWR	≤ 1.20
Intermodulation IM3	<-160 dBc for 2 carriers at +43 dBm
Temperature range	-30 to +65°C
Average power @ 25°C	100 W
Protection level	IP 60
Weight	2.9 Kg



Dimensions in mm

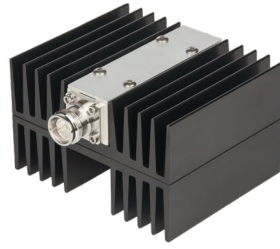
Return to Search by Part Number

P/N	Connector
17-0857 Z	7-16 m

100 W 4 GHz

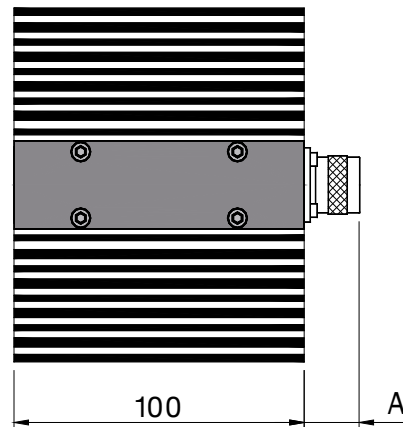
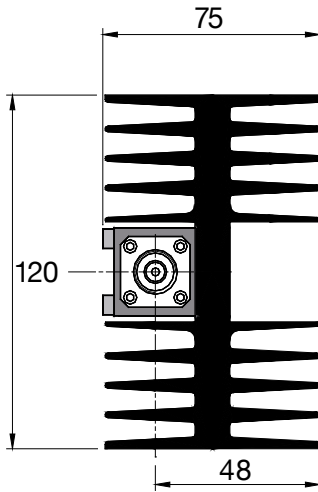
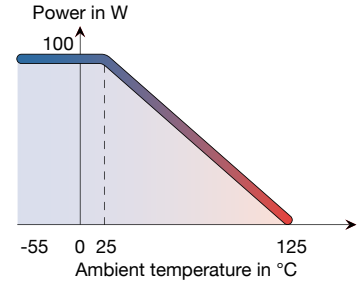


Standards
NF C 96-315
MIL-DTL-39030



Coaxial Loads

Impedance	50 Ω ± 5%
Frequency	DC – 4 GHz
Max VSWR	≤ 1.20 at 4 GHz
Temperature range	-55 to +125°C
Average power @ 25°C	100 W
Weight	1.1 kg



Dimensions in mm

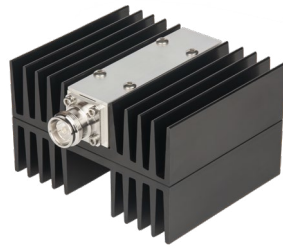
Return to Search by Part Number

P/N	Connector*	A
17-0830	4.3-10 m	22
17-0831	4.3-10 f	22

* Available with 7-16 connector



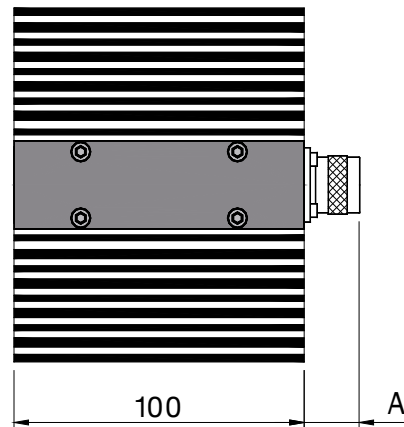
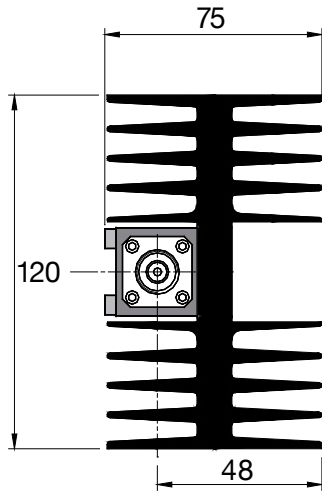
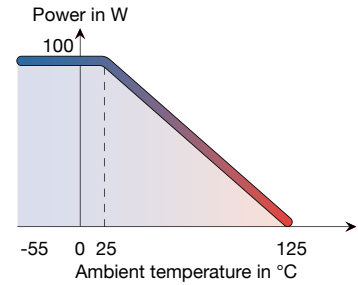
100 W 6 GHz



Standards
NF C 96-315
MIL-DTL-39030



Impedance	50 Ω ± 5%
Frequency	DC – 6 GHz
Max VSWR	≤ 1.20 at 6 GHz
Temperature range	-55 to +125°C
Average power @ 25°C	100 W
Weight	1.1 kg



Dimensions in mm

Coaxial Loads



Return to Search by Part Number

P/N	Connector*	A
17-0449	N f	19
17-0450	N m	21

* Available with 7-16 connector

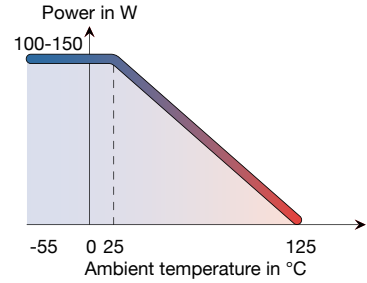
100 - 150 W 3 GHz



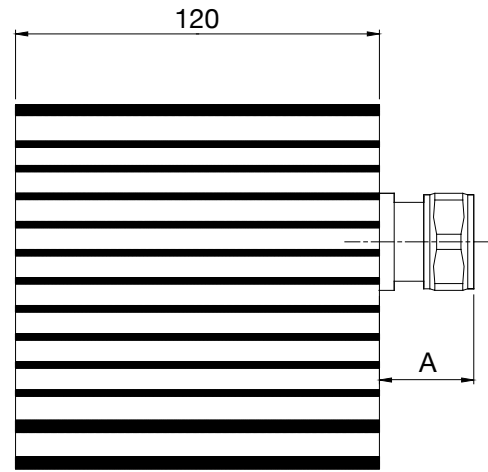
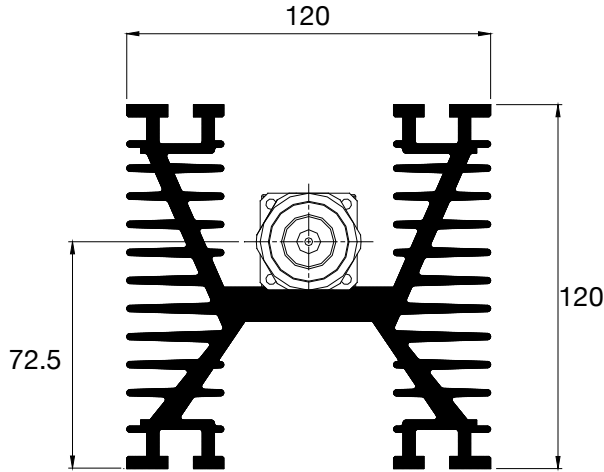
Standards
NF C 96-315
MIL-DTL-39030



Impedance	50 Ω ± 5%
Frequency	DC – 3 GHz
Max VSWR	≤ 1.10 at 1 GHz, ≤ 1.25 at 3 GHz
Temperature range	-55 to +125°C
Peak power	10 kW
Weight	1.4 kg



Coaxial Loads



Dimensions in mm

Return to Search by Part Number

P/N	Connector*	Power (W)	A
17-0239	N m	100	21
17-0213	N f	100	19
17-0196	7-16 m	100	31
17-0238	7-16 f	100	22
17-0580	EIA 7/8"	100	45
17-0616**	EIA 7/8"	100	45
17-0536	N f	150	19

* Others connectors on request
** With thermoswitch 120°C

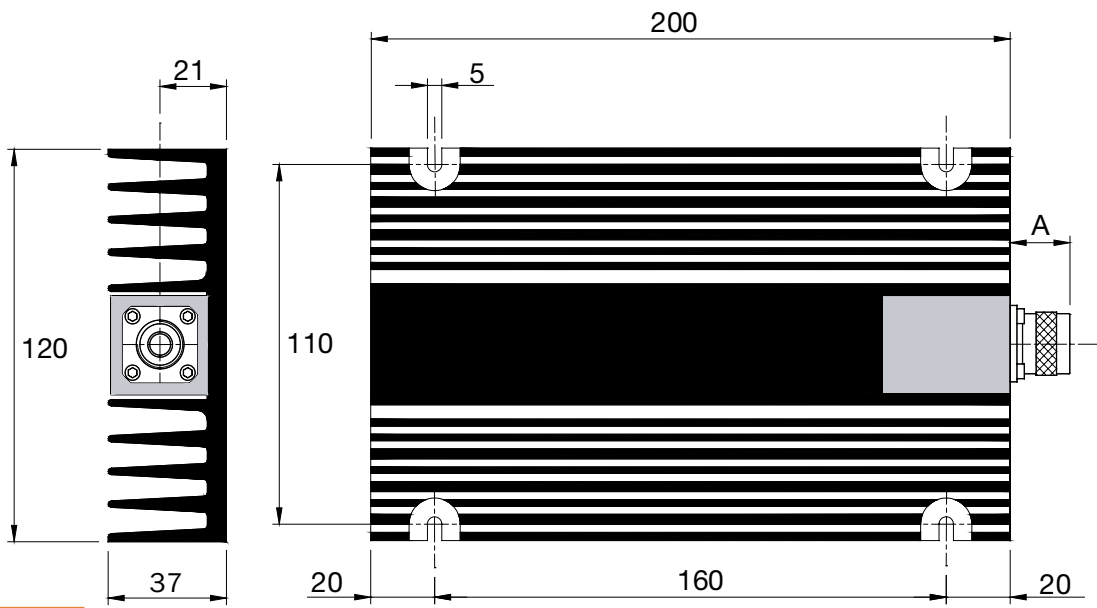
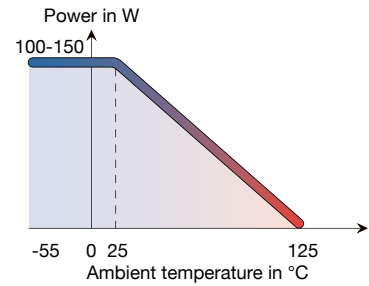
100 - 150 W 4 GHz



Standards
NF C 96-315
MIL-DTL-39030



Impedance	50 Ω ± 5%
Frequency	DC - 4 GHz
Max VSWR	≤ 1.10 at 2.2 GHz, ≤ 1.25 at 3 GHz
Temperature range	-55 to +125°C
Peak power	10 kW
Weight	1 kg



Dimensions in mm

Return to Search by Part Number

P/N	Connector*	Power (W)	A
17-0923	4.3-10 m	100	22
17-0924	4.3-10 f	100	22
17-0068	7-16 m	100	31
17-0094	7-16 f	100	22
17-0057	7-16 m	150	31
17-0095	7-16 f	150	22
17-3111	N m	100	21
17-3126	N f	100	19
17-3208	N m	150	21
17-3112	N f	150	19
17-0925	4.3-10 m	150	22
17-0926	4.3-10 f	150	22

* Others connectors on request

IP Level	Option
	IP 68

Coaxial Loads



200 W 2.7 GHz Low PIM

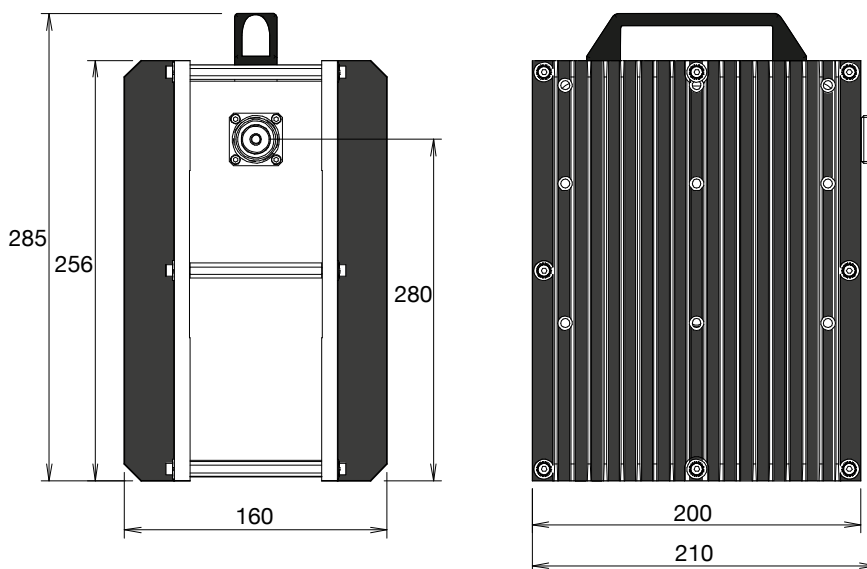


Standards
NF C 96-315
MIL-DTL-39030



Coaxial Loads

Impedance	50 Ω
Frequency	698 - 2700 MHz
Max VSWR	≤ 1.20
Intermodulation IM3	<-160 dBc for 2 carriers at +43 dBm
Temperature range	-30 to +55°C
Average power @ 25°C	200 W
Protection level	IP 60
Weight	7 Kg



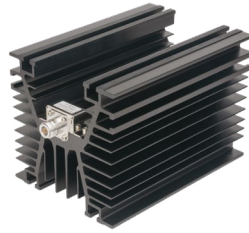
Dimensions in mm

Return to Search by Part Number

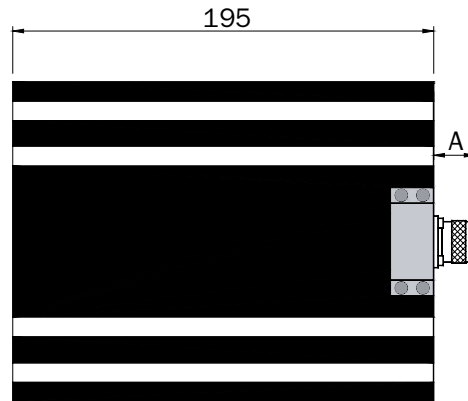
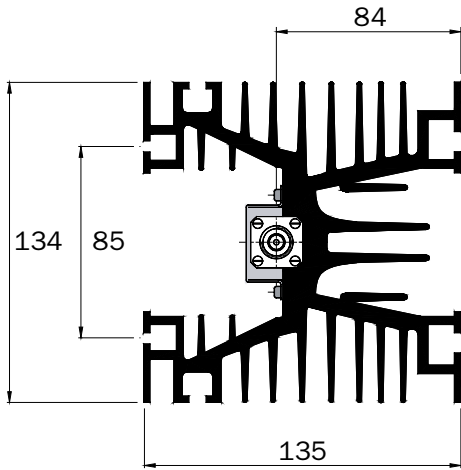
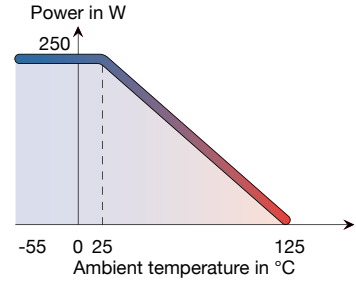
P/N	Connector
06 150 078 A	7-16 f
17-0861	4.3-10 f

250 W 1 GHz

Standards
NF C 96-315
MIL-DTL-39030



Impedance	50 Ω \pm 5%
Frequency	DC – 1 GHz (on request DC - 3 GHz)
Max VSWR	\leq 1.10 at 1 GHz
Temperature range	-55 to +125°C
Average power @ 25°C	250 W
Peak power	25 kW
Weight	3 kg



Dimensions in mm

Return to Search by Part Number

P/N	Connector*	A	Frequency (GHz)
17-0370	N m	21	1
17-0371	N f	19	1
17-0403**	N f	19	1
17-0744***	N f	19	1
17-0818	N f	19	2.5
17-0401	7-16 m	41	1
17-0400	7-16 f	31	1
17-0512**	7-16 f	31	1
17-0894***	7-16 m	41	1

* Others connectors on request

** With thermoswitch 90°C

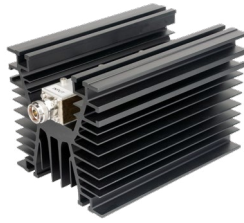
*** With thermoswitch 120°C



250 W 6 GHz

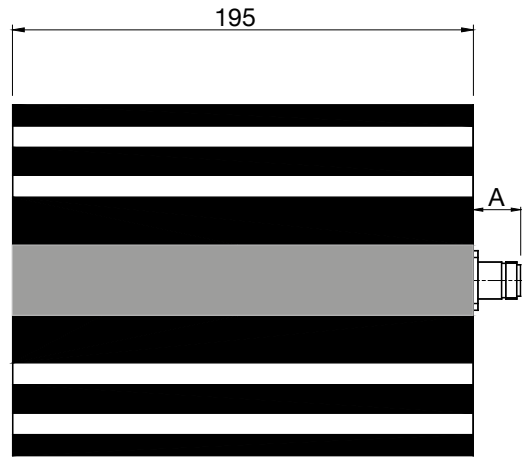
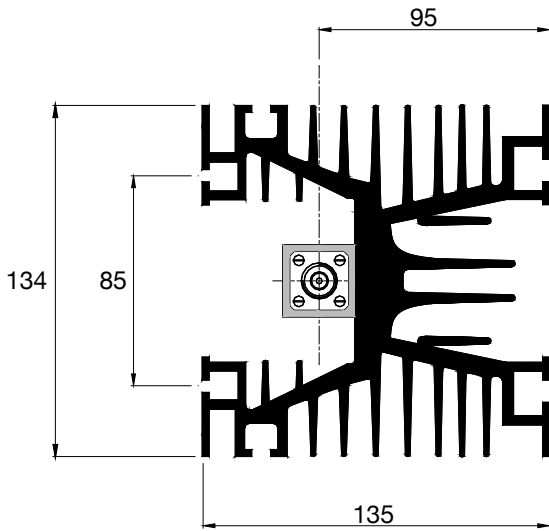
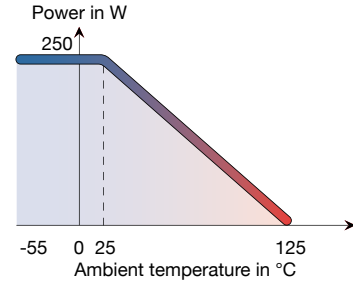


Standards
NF C 96-315
MIL-DTL-39030



Coaxial Loads

Impedance	50 Ω ± 5%
Frequency	DC – 6 GHz
Max VSWR	≤ 1.20 at 6 GHz
Temperature range	-55 to +125°C
Average power @ 25°C	250 W
Weight	3 kg



Dimensions in mm

[Return to Search by Part Number](#)

P/N	Connector	A
17-0443	N f	19
17-0444	N m	29
17-0672	7-16 m	41
17-0721	7-16 f	31

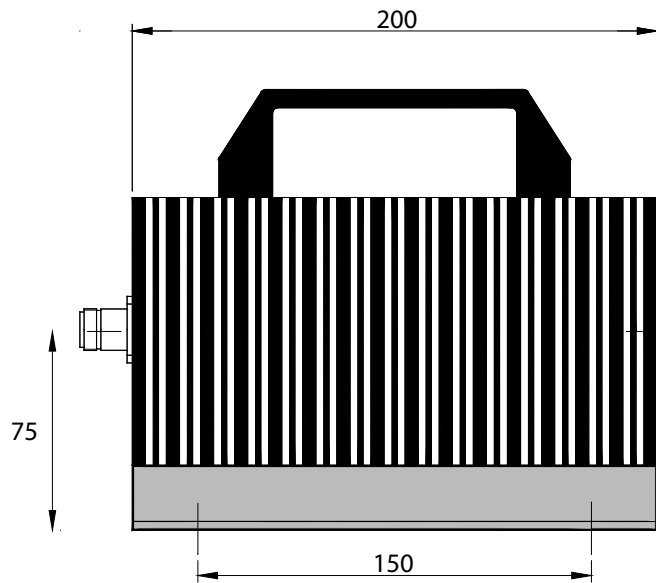
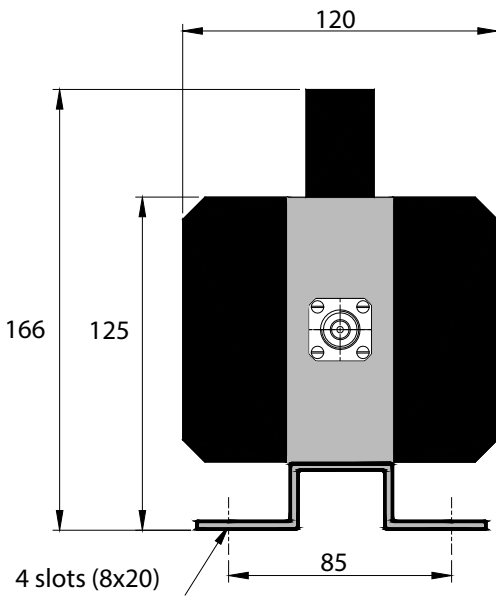
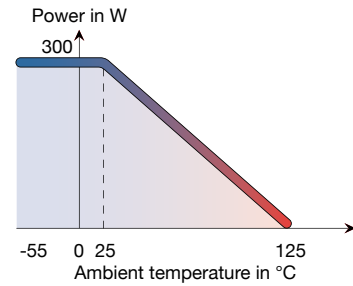
300 W 1.4 GHz



Standards
NF C 96-315
MIL-DTL-39030



Impedance	50 Ω ± 5%
Frequency	DC – 1.4 GHz
Max VSWR	≤ 1.20 at 1.4 GHz
Temperature range	-55 to +125°C
Average power @ 25°C	300 W
Peak power @25°C	2.5 kW
Pulse duration	1 ms
Duty cycle	7%
Weight	3.5 kg



Dimensions in mm

Coaxial Loads



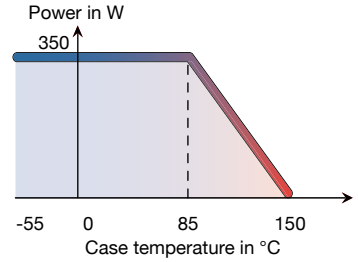
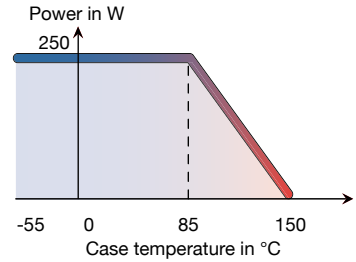
[Return to Search by Part Number](#)

P/N	Connector
17-0958	N f

250 - 350 W 6 GHz For integration

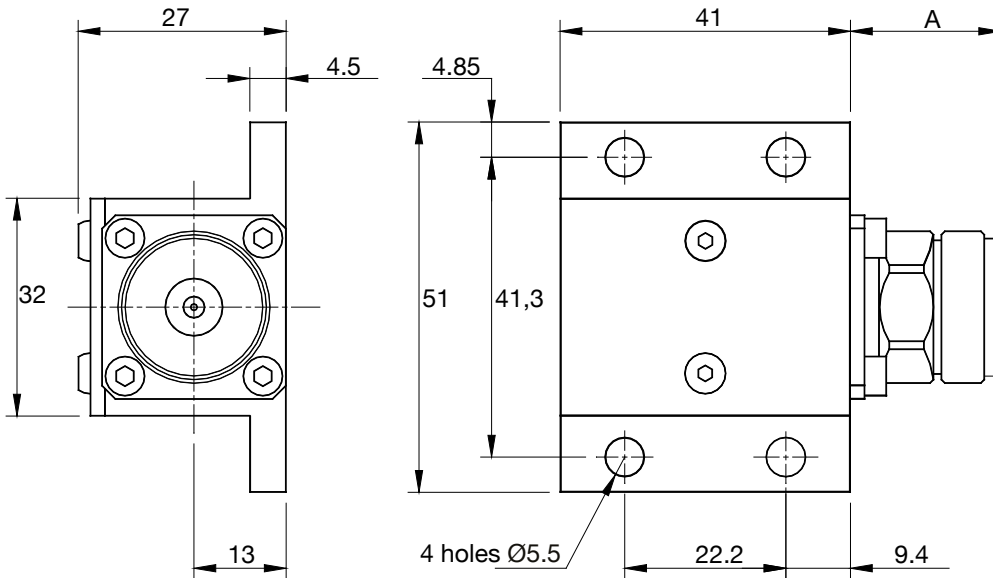


Standards
NF C 96-315
MIL-DTL-39030



Impedance 50 Ω ±5%
Frequency DC - 6 GHz
Temperature range -55°C to +150°C
Average power @ 85°C 250 W or 350 W
Base plate housing / Finition Al / Ni
Weight 110 g

Coaxial Loads



Dimensions in mm

Return to Search by Part Number

P/N	Power (W)	Connector*	Frequency (GHz)	Max VSWR	A (mm)
17-0504	250	N m	1.5	1.25	21
17-0548	250	N f	1.5	1.25	19
17-0628	250	N f	3	1.30	19
17-0854	250	N f	6	1.25	21
17-0750	350	N m	4	1.20	21
17-0751	350	N f	4	1.20	19

* Others connectors on request

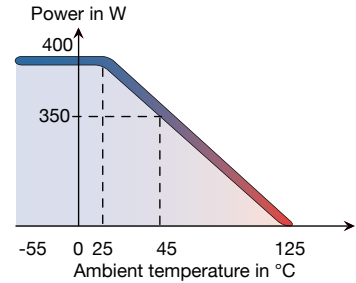
400 W 2.5 GHz



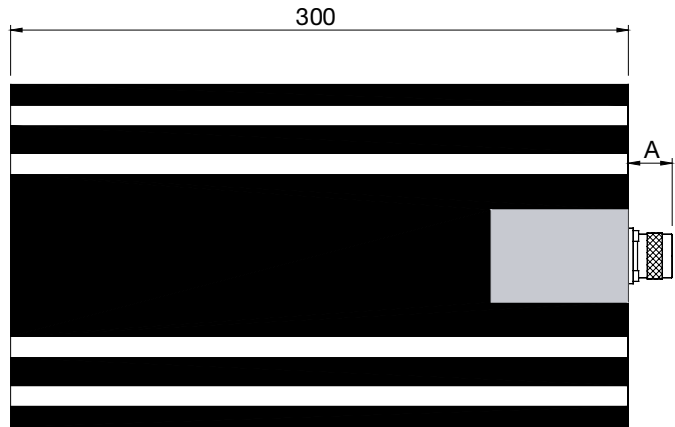
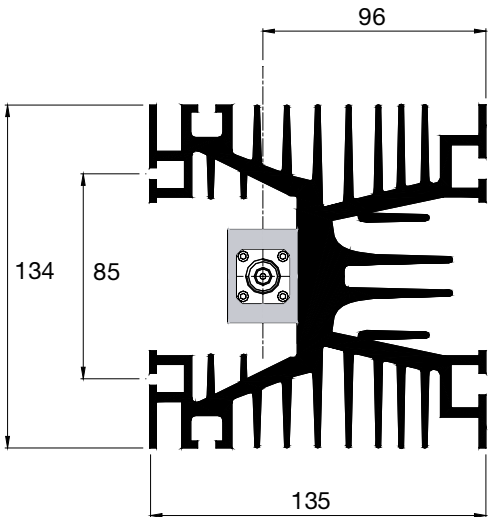
Standards
NF C 96-315
MIL-DTL-39030



Impedance	50 Ω ± 5%
Frequency	DC – 2.5 GHz
Max VSWR	≤ 1.10 at 1 GHz, ≤ 1.30 at 2.5 GHz
Temperature range	-55 to +125°C
Average power @ 25°C	400 W
Peak power	40 kW
Weight	4.2 kg



Coaxial Loads



Dimensions in mm



[Return to Search by Part Number](#)

P/N	Connector	A
17-0205	N m	21
17-0259	N f	19
17-0292*	N f	19
17-0389**	N f	19
17-0155	7-16 f	32
17-0722	7-16 m	42
17-0617	EIA 7/8"	55

* With thermoswitch 120°C
** With thermoswitch 90°C

Option	
NU	VSWR ≤ 1.05 470 to 860 MHz for DVB

500 W 6 GHz

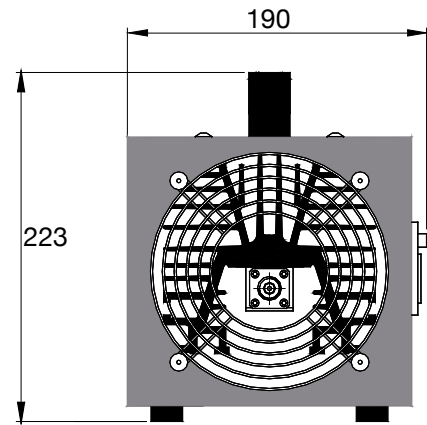
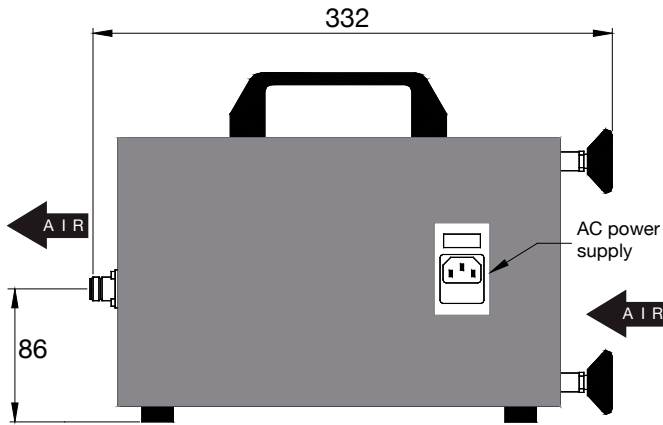


Standards
NF C 96-315
MIL-DTL-39030



Coaxial Loads

Impedance	50 Ω \pm 5%
Frequency	DC – 6 GHz
Max VSWR	\leq 1.20 at 6 GHz
Temperature range	-55 to +125°C
Average power @ 25°C	500 W
Cooling	Forced air
Power supply	28 VA (1 fan) - C14 IEC Fuses Inlet
Weight	6 kg



Dimensions in mm

[Return to Search by Part Number](#)

P/N	Connector	AC Power supply
17-0586	N m	220 V - 50/60 Hz
17-0819	N f	220 V - 50/60 Hz



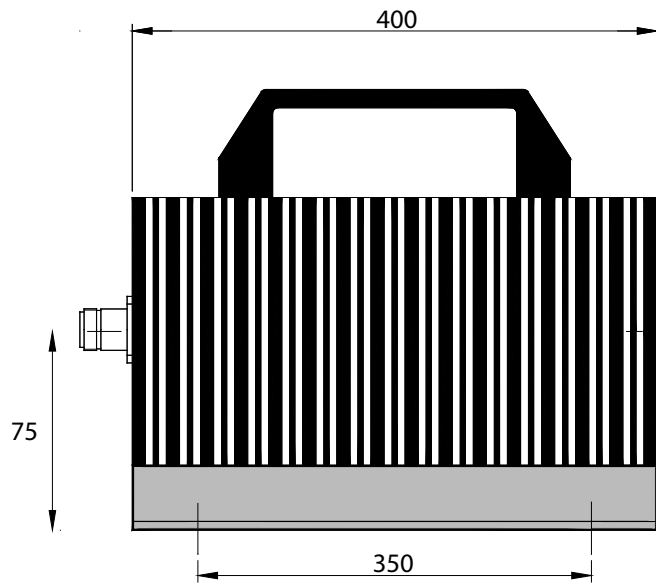
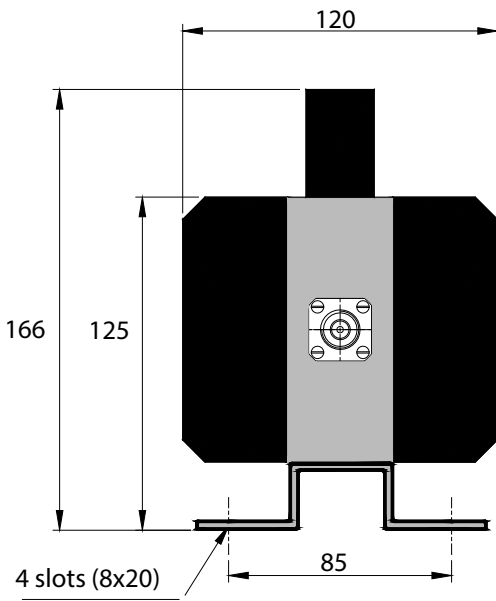
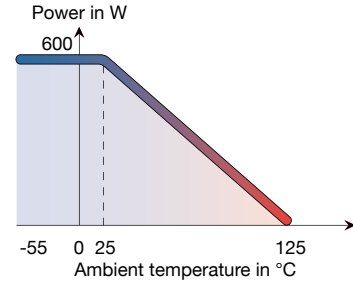
600 W 1.4 GHz



Standards
NF C 96-315
MIL-DTL-39030



Impedance	50 Ω ± 5%
Frequency	DC – 1.4 GHz
Max VSWR	≤ 1.20 at 1.4 GHz
Temperature range	-55 to +125°C
Average power @ 25°C	600 W
Peak power @25°C	2.5 kW
Pulse duration	2 ms
Duty cycle	13%
Weight	7 kg



Dimensions in mm

Coaxial Loads



[Return to Search by Part Number](#)

P/N	Connector
17-0959	N f

600 W 2.5 GHz

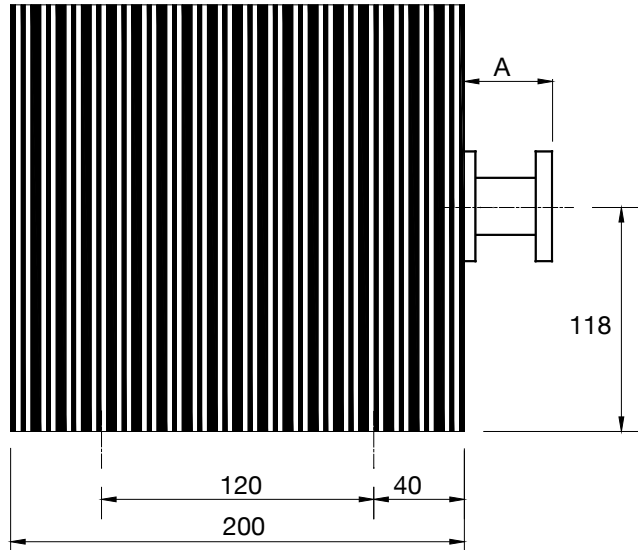
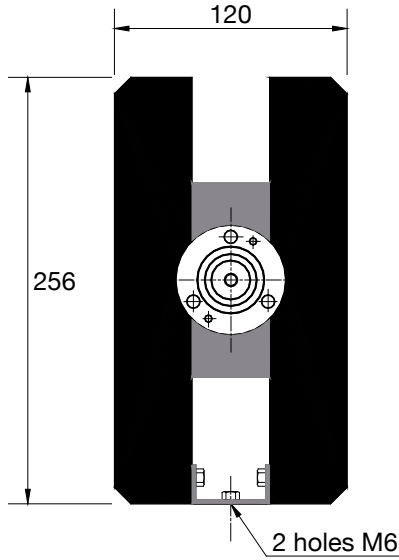
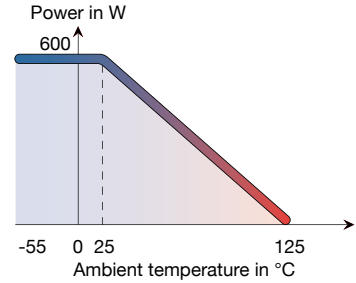


Standards
NF C 96-315
MIL-DTL-39030



Coaxial Loads

Impedance	50 Ω ± 5%
Frequency	DC – 2.5 GHz)
Max VSWR	≤ 1.20 at 2.5 GHz
Temperature range	-55 to +125°C
Average power @ 25°C	600 W
Peak power	40 kW
Weight	8.2 kg



Dimensions in mm

[Return to Search by Part Number](#)

P/N	Connector	Frequency (Ghz)	VSWR	A
17-4503	N f	1	1.10	19
17-0723	N f	2.5	1.20	19
17-0002*	N f	1	1.10	19
17-0787**	N f	1	1.10	19
17-0724	N m	2.5	1.20	21
17-0199	7-16 f	1	1.10	22
17-0286**	7-16 f	1	1.10	22
17-0492	7-16 f	2.5	1.20	22
17-0644	7-16 m	1	1.10	32
17-0725	7-16 m	2.5	1.20	32
17-5310	EIA 7/8"	1	1.10	46
17-0367**	EIA 7/8"	1	1.10	46

* With thermoswitch 70°C
** With thermoswitch 140°C

Option	
NU	VSWR ≤ 1.05 470 to 860 MHz for DVB



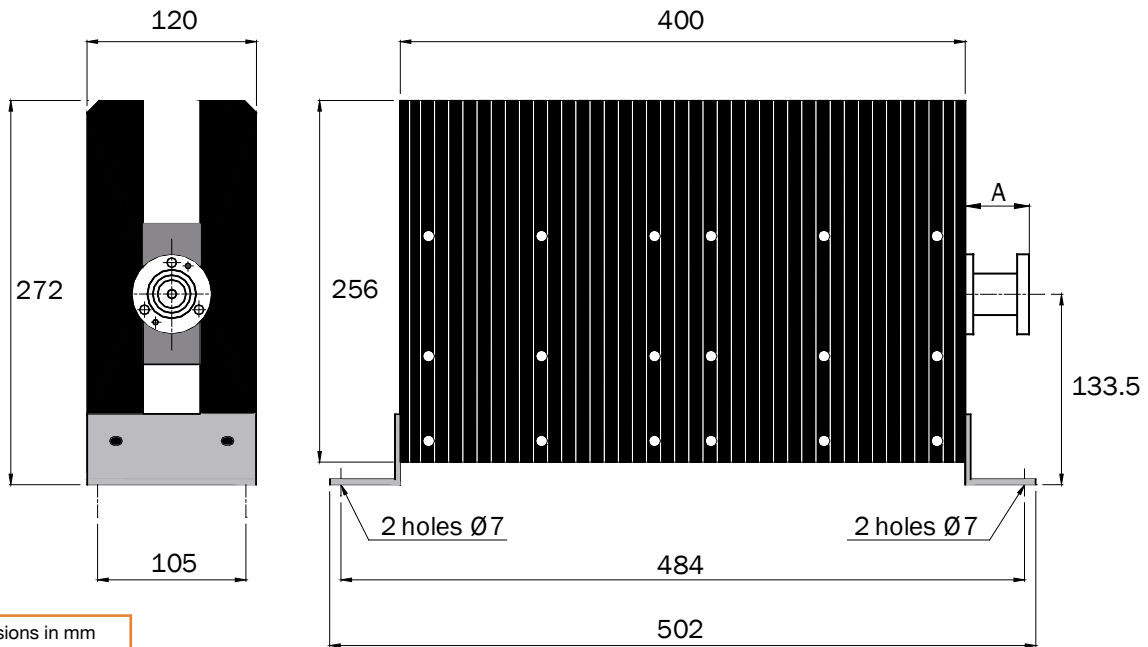
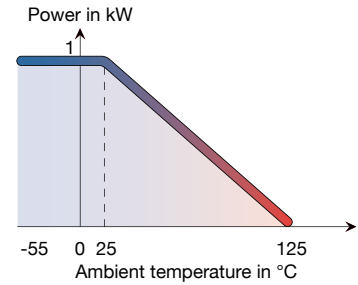
1 kW 1 GHz



Standards
NF C 96-315
MIL-DTL-39030



Impedance	50 Ω ± 5%
Frequency	DC – 1 GHz
Max VSWR	≤ 1.10 at 1 GHz
Temperature range	-55 to +125°C
Average power @ 25°C	1 kW
Peak power	40 kW
Weight	15 kg



Coaxial Loads



Return to Search by Part Number

P/N	Connector	A
17-4582	Nf	19
17-0251	7-16 f	22
17-0578*	7-16 f	22
17-0570**	7-16 f	22
17-4580	EIA 7/8"	46
17-0632	EIA 1.5/8"	65

* With thermoswitch 90°C
** With thermoswitch 160°C

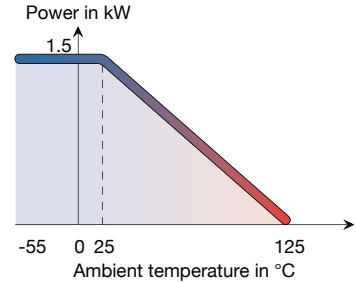
1.5 kW 1 GHz



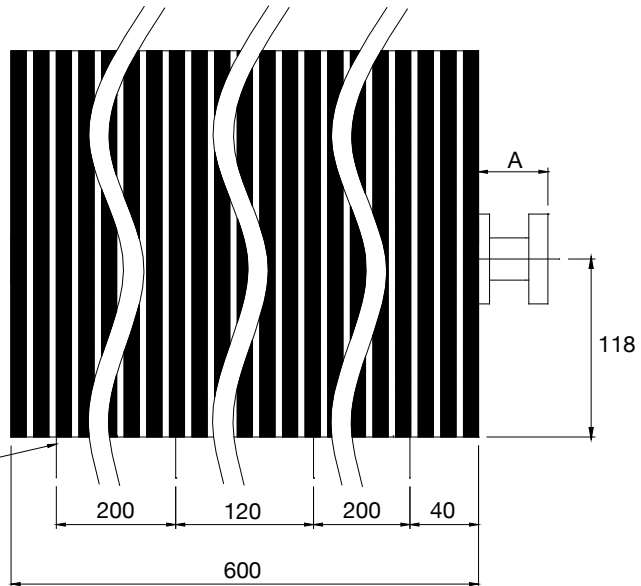
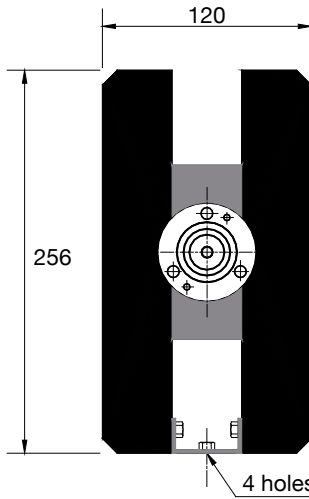
Standards
NF C 96-315
MIL-DTL-39030



Impedance	50 Ω ± 5%
Frequency	DC – 1 GHz
Max VSWR	≤ 1.10 at 1 GHz
Temperature range	-55 to +125°C
Average power @ 25°C	1.5 kW
Peak power	40 kW
Weight	24 kg



Coaxial Loads



4 holes M6

Dimensions in mm

Return to Search by Part Number

P/N	Connector	A
17-0581	7-16 f	22
17-0262	EIA 7/8 "	46
17-0511*	EIA 7/8 "	46

* With thermoswitch 130°C

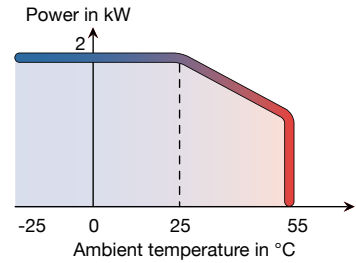
2 kW 1 GHz



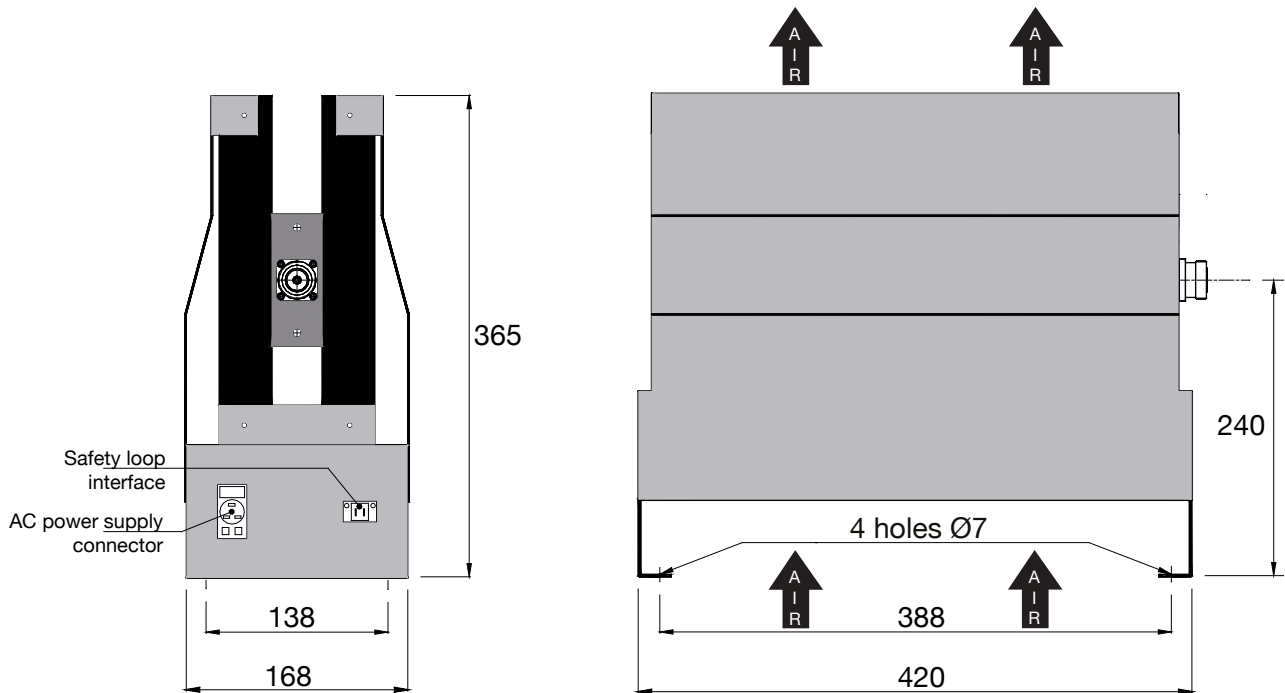
Standards
NF C 96-315
MIL-DTL-39030



Impedance	50 Ω ± 5%
Frequency	DC – 1 GHz
Max VSWR	≤ 1.10 at 1 GHz
Temperature range	-25 to +55°C
Average power @ 25°C	2 kW
Cooling	Forced air
Safety loop	AC power supply + Thermoswitch (5/5.08 Feed through header - 2 wires AWG 24-12)
Power supply	56 VA (2 fans) - C14 IEC Fuses Inlet
Weight	22 kg



Coaxial Loads



Dimensions in mm

[Return to Search by Part Number](#)

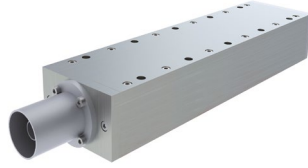
P/N	Connector*	A	AC Power supply
17-0557	EIA 7/8 "	46	220 V - 50/60 Hz
17-0762	7-16 f	22	220 V - 50/60 Hz

* Others connectors on request

3 kW 1 GHz For integration

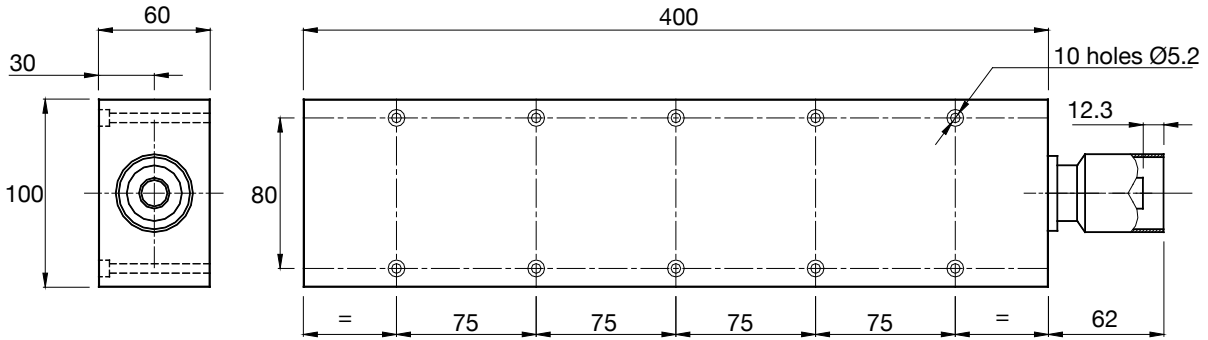
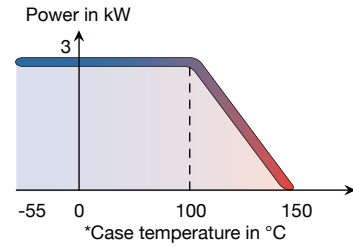


Standards
NF C 96-315
MIL-DTL-39030



Coaxial Loads

Impedance	50 Ω ± 5%
Frequency	DC - 1 GHz
Max VSWR	≤ 1.30 at 1 GHz
Temperature range	-55 to + 150°C
Material	Al
Average power @ 25°C	3 kW
Weight	13 kg



Dimensions in mm

[Return to Search by Part Number](#)

P/N	Connector*
17-0572	EIA 1.5/8"

Option	
NU	VSWR ≤ 1.05 470 to 860 MHz for DVB

* Others connectors on request

Designed for water cooled or forced air heat exchanger

Search by Part Number

Part Number	Page
17-0002	M26
17-0046	M3
17-0057	M19
17-0068	M19
17-0094	M19
17-0095	M19
17-0133	M11
17-0155	M24
17-0167	M11
17-0168	M4
17-0177	M3
17-0178	M4
17-0191	M7
17-0193	M5
17-0196	M18
17-0199	M26
17-0205	M24
17-0213	M18
17-0217	M9
17-0225	M6
17-0234	M11
17-0238	M18
17-0239	M18
17-0251	M27
17-0256	M7
17-0257	M11
17-0259	M24
17-0260	M9
17-0262	M28
17-0286	M26
17-0292	M24
17-0296	M3
17-0302	M3
17-0367	M26
17-0370	M21
17-0371	M21
17-0389	M24
17-0400	M21
17-0401	M21
17-0403	M21
17-0443	M22
17-0444	M22
17-0449	M17
17-0450	M17
17-0451	M13

Part Number	Page
17-0452	M13
17-0453	M8
17-0454	M8
17-0492	M26
17-0504	M23
17-0511	M28
17-0512	M21
17-0536	M18
17-0548	M23
17-0557	M29
17-0570	M27
17-0572	M30
17-0578	M27
17-0579	M11
17-0580	M18
17-0581	M28
17-0586	M25
17-0610	M6
17-0616	M18
17-0617	M24
17-0628	M23
17-0632	M27
17-0633 Z	M10
17-0636 Z	M10
17-0644	M26
17-0664	M14
17-0672	M22
17-0713	M12
17-0713E	M12
17-0721	M22
17-0722	M24
17-0723	M26
17-0724	M26
17-0725	M26
17-0728	M11
17-0744	M22
17-0750	M23
17-0751	M23
17-0762	M29
17-0770 Z	M10
17-0771 Z	M10
17-0787	M26
17-0818	M21
17-0819	M25

Part Number	Page
17-0826	M11
17-0827	M4
17-0828	M4
17-0829	M11
17-0830	M16
17-0831	M16
17-0835	M6
17-0840	M6
17-0854	M23
17-0855 Z	M10
17-0856 Z	M10
17-0857	M14
17-0857 Z	M16
17-0858	M14
17-0859	M14
17-0861	M20
17-0870	M12
17-0875	M12
17-0876	M7
17-0877	M7
17-0879	M12
17-0879E	M12
17-0894	M21
17-0923	M19
17-0924	M19
17-0925	M19
17-0926	M19
17-3111	M19
17-3112	M19
17-3113	M6
17-3114	M9
17-3126	M19
17-3182	M7
17-3208	M19
17-3255	M11
17-3358	M9
17-3359	M11
17-3361	M6
17-3363	M6
17-3364	M6
17-4503	M26
17-4580	M27
17-4582	M27
17-5310	M26
06 150 078 A	M20
17-0958	M23
17-0959	M27



Notes



Standards
NF C 96-315
MIL-DTL-39030

Coaxial Loads



